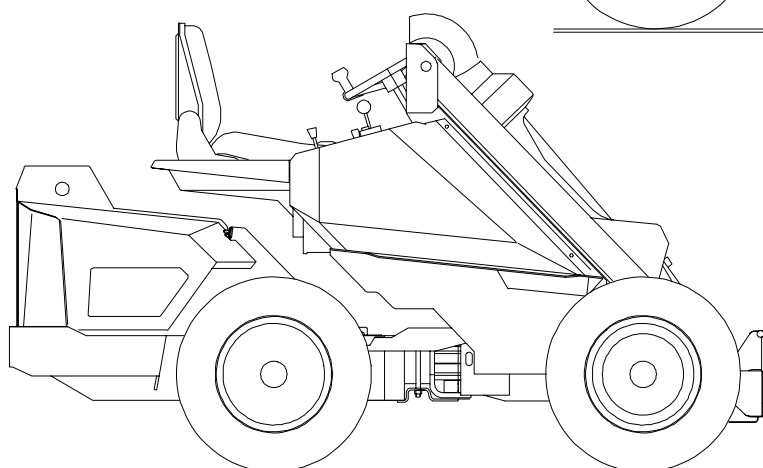
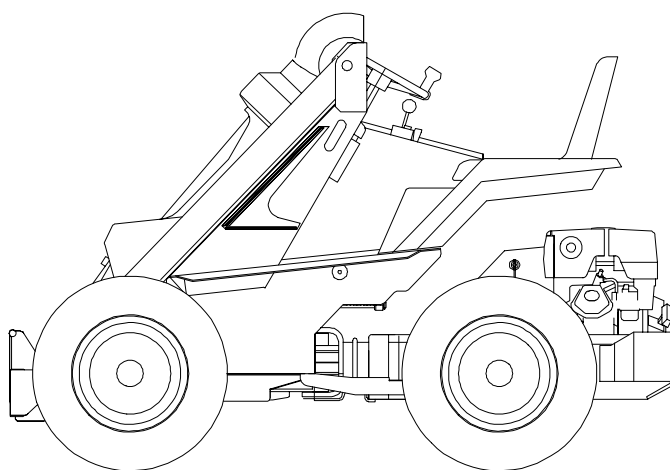


Avant 500 Series Parts List

Starting from serial no.: 24439

AVANT	513	A2780
AVANT	514	A2781
AVANT	520	A2782
AVANT	520 PLUS	A2783
AVANT	528 PLUS	A2918



Manufacturer:

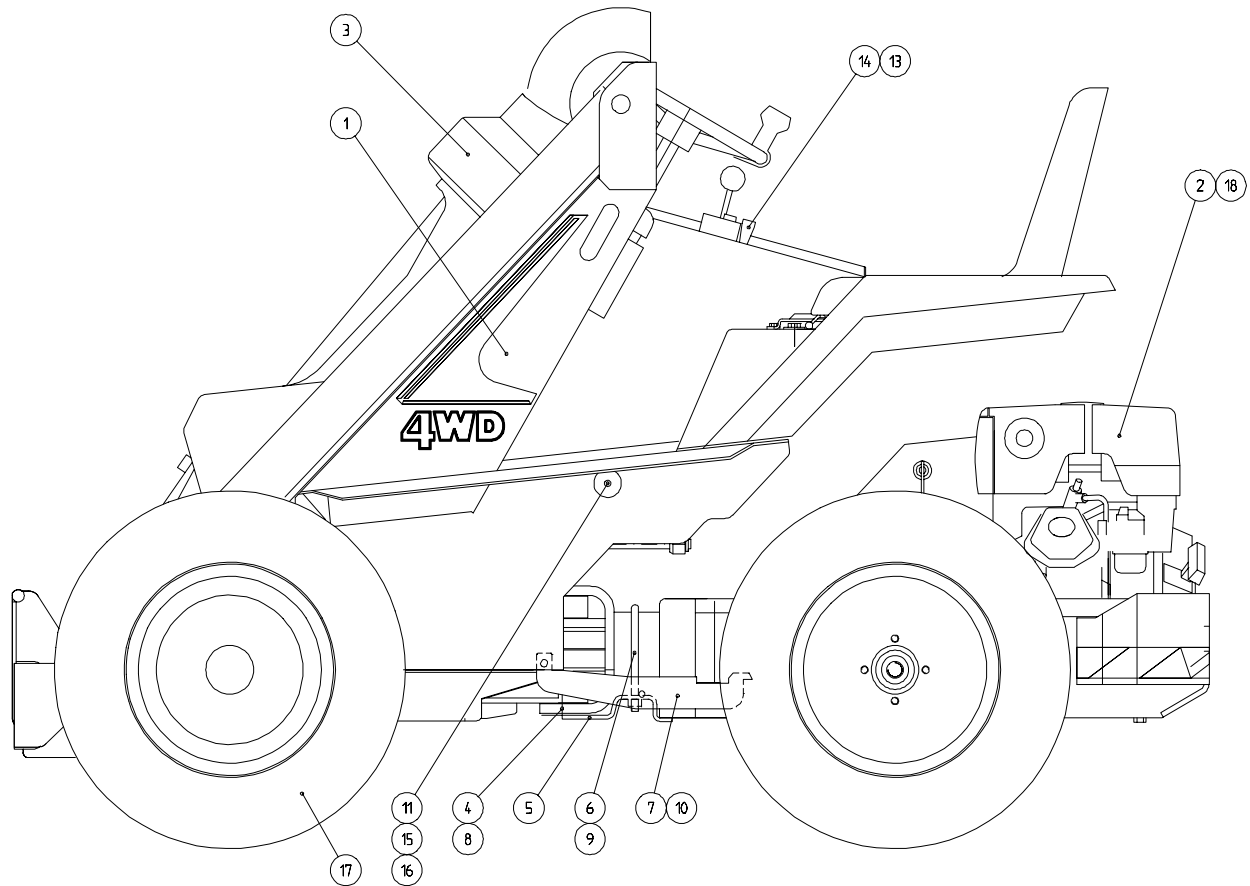
AVANT
AVANT TECNO OY

Ylötie 1, 33470 YLÖJÄRVI, FINLAND
Tel.int. +358 3 347 8800
Telefax +358 3 348 5511
E-mail sales@avanttecno.com
Web www.avanttecno.com

TABLE OF CONTENTS

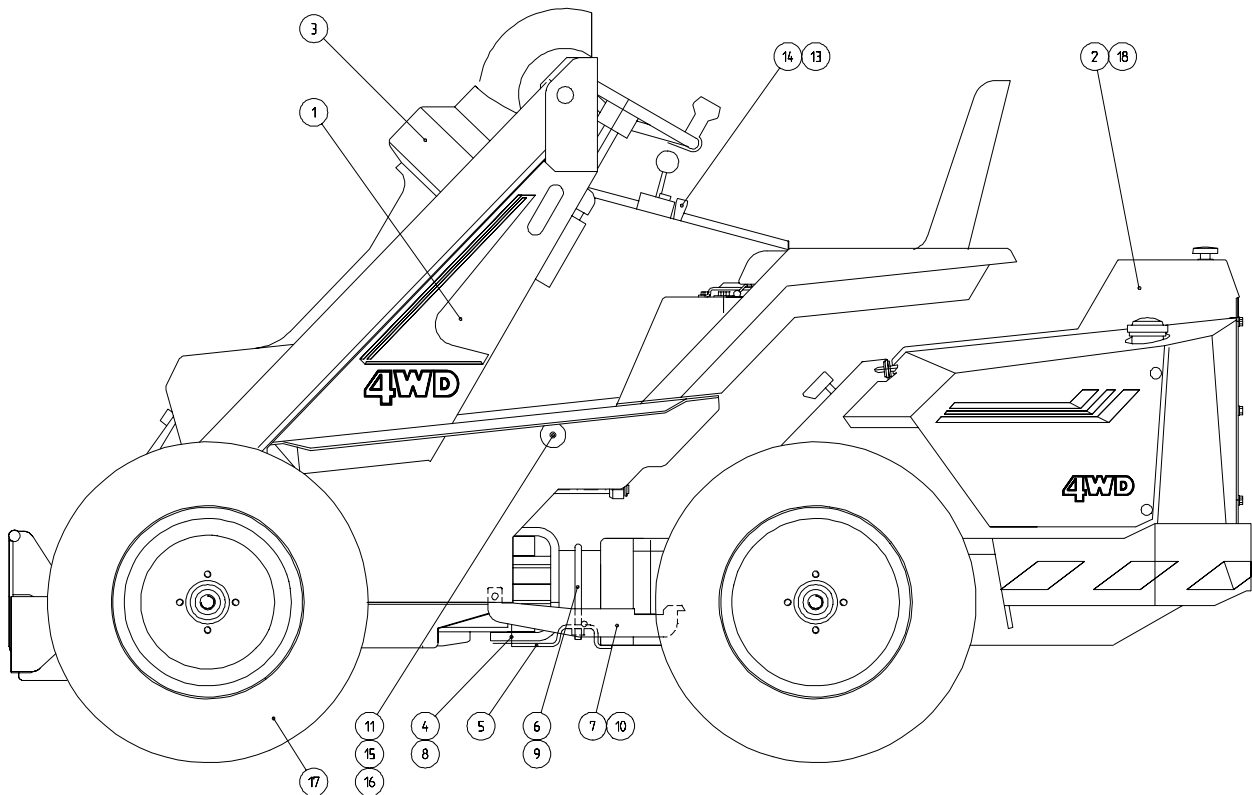
AVANT 513 / HONDA GX390 A2780	3
AVANT 514 / KUBOTA Z482 A2781	4
AVANT 520 / KUBOTA D722 A2782	5
AVANT 520 PLUS A2783	6
AVANT 528 PLUS A2918	7
CHASSIS, FRONT, ASSEMBLY AVANT 513 GX390 A2815	8,9
CHASSIS, FRONT, ASSEMBLY AVANT 514 AND 520 A2793	10,11
CHASSIS, FRONT, ASSEMBLY AVANT 520 PLUS & 528 PLUS A2792 ..	12,13
CHASSIS, REAR, ASSEMBLY AVANT 513 GX390 A2789	14,15
CHASSIS, REAR, ASSEMBLY AVANT 514 Z482 A2800	16,17
CHASSIS, REAR, ASSEMBLY AVANT 520 A2797	18,19
CHASSIS, REAR, ASSEMBLY AVANT 520 PLUS A2791	20,21
CHASSIS, REAR, ASSEMBLY AVANT 528 PLUS A2922	22,23
ENGINE ASSY AVANT 514 / Z482 A2820	24,25
ENGINE ASSY AVANT 520 / D722 A2818	26,27
ENGINE ASSY AVANT 520 PLUS / D722 A2819	28,29
ENGINE ASSY AVANT 528 PLUS / D1105 A2921	30,31,32
ENGINE ASSY HONDA GX390 A31853	33
LOADER BOOM STD. A31832	34
TELESCOPIC LOADER BOOM A2844	35
HYDRAULIC MOTOR OMSW, ASSEMBLY A43974	36
TRANSMISSION, OMT, FRONT A43975	37
TRANSMISSION, OMT, REAR A43976	38
DRIVE PEDAL A31555	39
PARKING BRAKE A31739	40
HYDRAULIC HOSES, DRIVE, 500 STD. A31892	41
HYDRAULIC HOSES, DRIVE, AVANT 520 PLUS & 528 PLUS A31893	42
VARIABLE DISPLACEMENT PUMP CONTROL UNIT A31919	43
ELECTRIC WIRING AVANT 513 A31846	44
ELECTRIC WIRING AVANT 514,520,520+,528+ A31925	44
HYDRAULIC OIL COOLER A31741	45
MAIN CONTROL VALVE + HOSE ASSEMBLY STD. A31847	46,47
MAIN CONTROL VALVE + HOSE ASSEMBLY, 520+ & 528+ A31851 ...	48,49

AVANT 513 / HONDA GX390 A2780



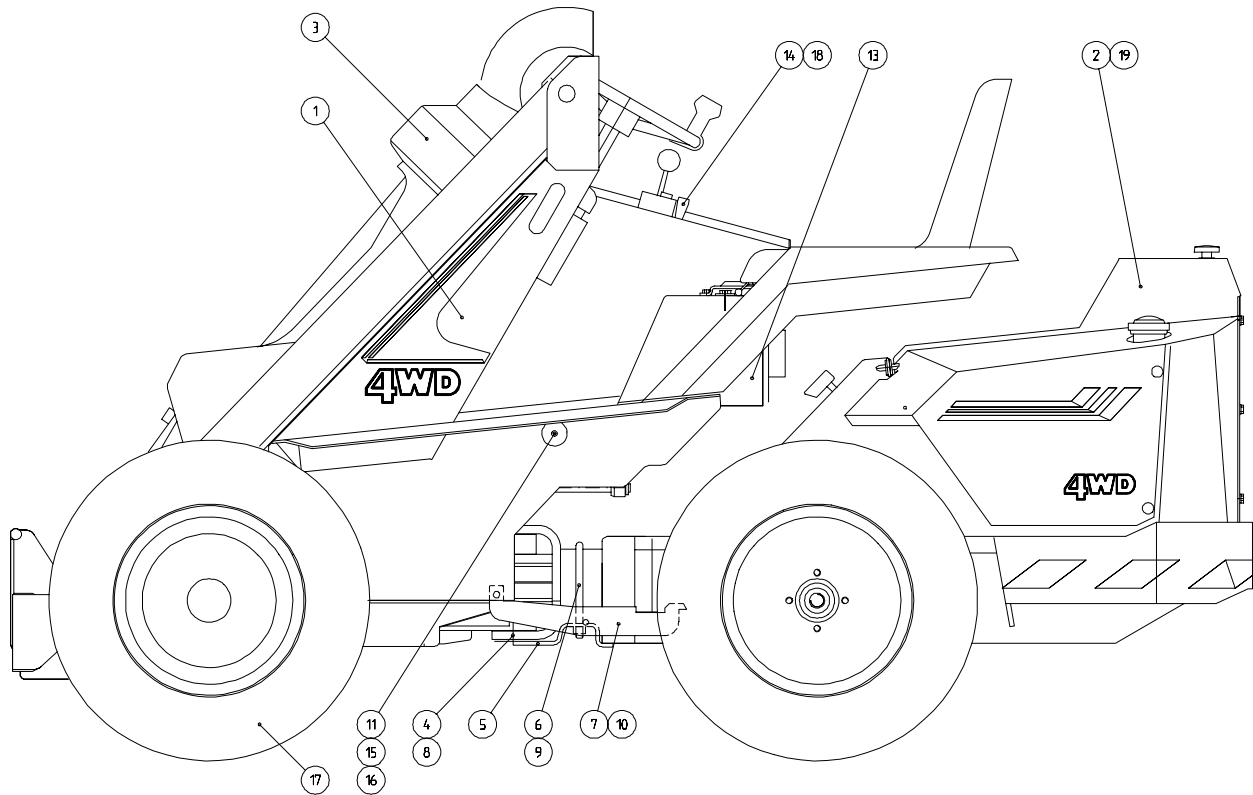
1	A2793	1	CHASSIS, FRONT, ASSEMBLY 500 SERIES
2	A2789	1	CHASSIS, REAR, ASSEMBLY 500 SERIES GX390
3	A31742	1	LOADER BOOM STD.
4	A42940	2	PIVOT PIN C35
5	A43819	1	LOCKING PLATE
6	A43036	1	RIVET
7	A43755	1	LOCKING DEVICE
8	72052	4	COUNTERSUNK SOCKET HEAD SCREW M8* 20
9	72324	2	HEXAGONAL NUT M12 DIN985 ZN
10	71727	1	RING SPLINT 9,5 MM ZN
11	64355	1	FINGER SCREW STAR SR 4522 M8 17S
12	A31892	1	HYDRAULIC HOSES, DRIVE, 500 SERIES
13	A44054	2	DRAIN LINE, FRONT, ASSEMBLY
14	A31847	1	MAIN CONTROL VALVE + HOSE ASSEMBLY 500
15	73221	1	HEXAGONAL SCREW M8* 35 DIN 933 ZN
16	72319	1	HEXAGONAL NUT M8 DIN 934 ZN
17	64120	4	WHEEL TRACTOR PROFILE 23*8,50-12/6 T463
18	A44055	1	DRAIN LINE, REAR, ASSEMBLY
19	A44034	1	DRIVE CABLE L=825

AVANT 514 / KUBOTA Z482 A2781



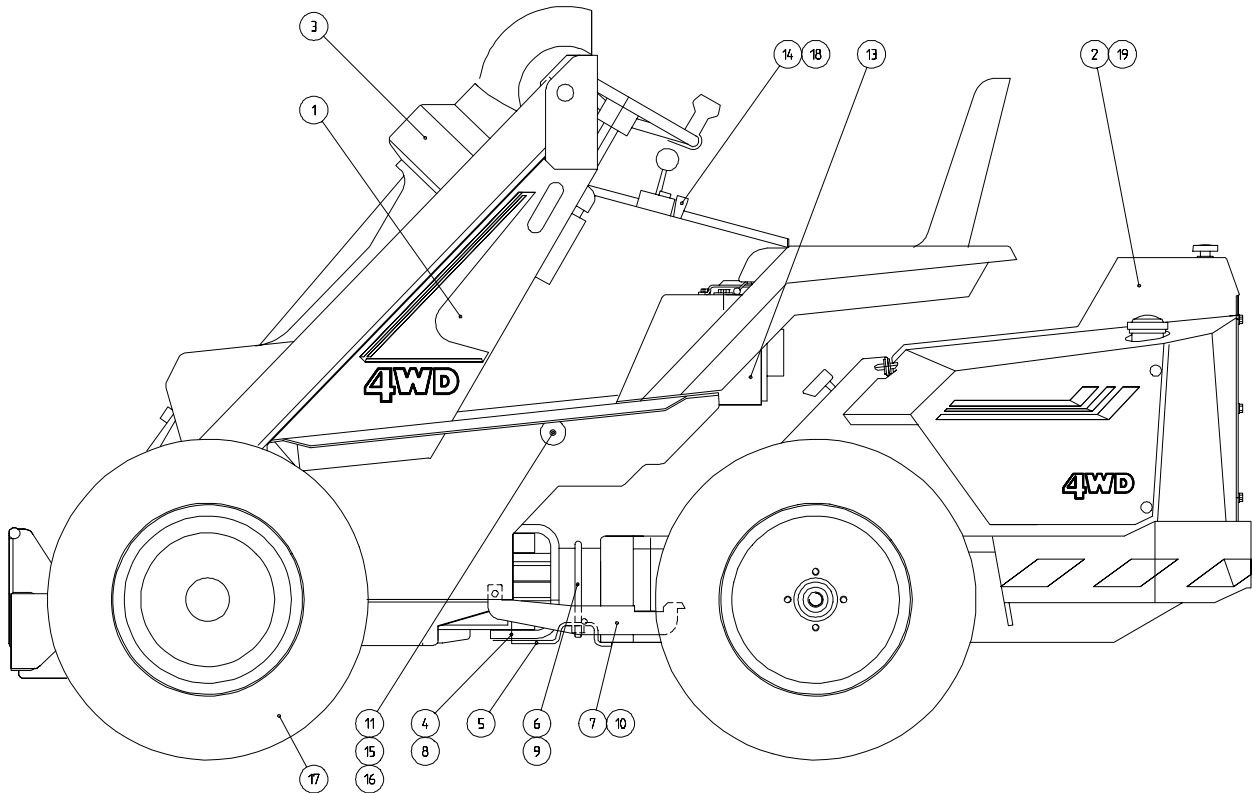
1	A2793	1	CHASSIS, FRONT, ASSEMBLY 500 SERIES
2	A2800	1	CHASSIS, REAR, ASSEMBLY Z482
3	A31742	1	LOADER BOOM STD.
4	A42940	2	PIVOT PIN C35
5	A43819	1	LOCKING PLATE
6	A43036	1	RIVET
7	A43755	1	LOCKING DEVICE
8	72052	4	COUNTERSUNK SOCKET HEAD SCREW M8* 20
9	72324	2	HEXAGONAL NUT M12 DIN985 ZN
10	71727	1	RING SPLINT 9,5 MM ZN
11	64355	1	FINGER SCREW STAR SR 4522 M8 17S
12	A31892	1	HYDRAULIC HOSES, DRIVE, 500 SERIES
13	A44054	2	DRAIN LINE, FRONT, ASSEMBLY
14	A31847	1	MAIN CONTROL VALVE + HOSE ASSEMBLY
15	73221	1	HEXAGONAL SCREW M8* 35 DIN 933 ZN
16	72319	1	HEXAGONAL NUT M8 DIN 934 ZN
17	64120	4	WHEEL TRACTOR PROFILE 23*8,50-12/6 T463
18	A44055	1	DRAIN LINE, REAR, ASSEMBLY
19	A44033	1	DRIVE CABLE L=1000

AVANT 520 / KUBOTA D722 A2782



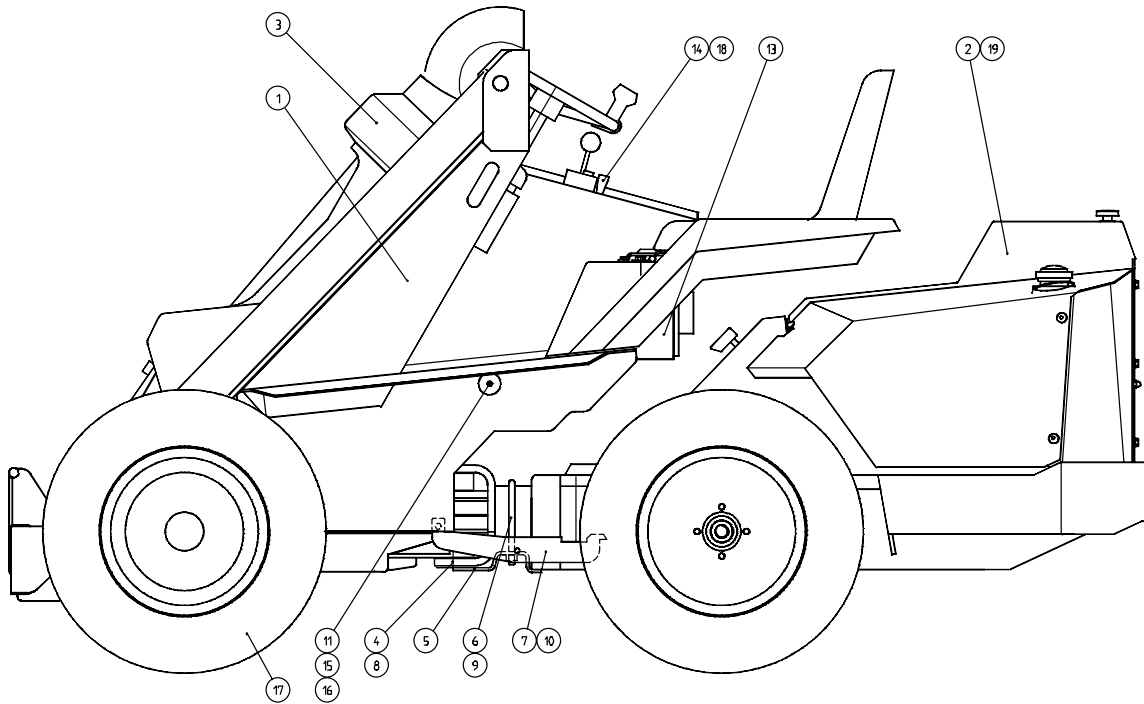
1	A2793	1	CHASSIS, FRONT, ASSEMBLY 500 SERIES
2	A2797	1	CHASSIS, REAR, ASSEMBLY STD. D722
3	A31742	1	LOADER BOOM STD.
4	A42940	2	PIVOT PIN C35
5	A43819	1	LOCKING PLATE
6	A43036	1	RIVET
7	A43755	1	LOCKING DEVICE
8	72052	4	COUNTERSUNK SOCKET HEAD SCREW M8* 20
9	72324	2	HEXAGONAL NUT M12 DIN985
10	71727	1	RING SPLINT 9,5 MM ZN
11	64355	1	FINGER SCREW STAR SR 4522 M8 17S
12	A31892	1	HYDRAULIC HOSES, DRIVE, 500 SERIES
13	A31741	1	HYDRAULIC OIL COOLER
14	A31847	1	MAIN CONTROL VALVE + HOSE ASSEMBLY
15	73221	1	HEXAGONAL SCREW M8* 35 DIN933 ZN
16	72319	1	HEXAGONAL NUT M8 DIN934 ZN
17	64120	4	WHEEL TRACTOR PROFILE 23*8,50-12/6 T463
18	A44054	2	DRAIN LINE, FRONT, ASSEMBLY
19	A44055	1	DRAIN LINE, REAR, ASSEMBLY
20	A44035	1	DRIVE CABLE L=925

AVANT 520 PLUS / KUBOTA D722 A2783



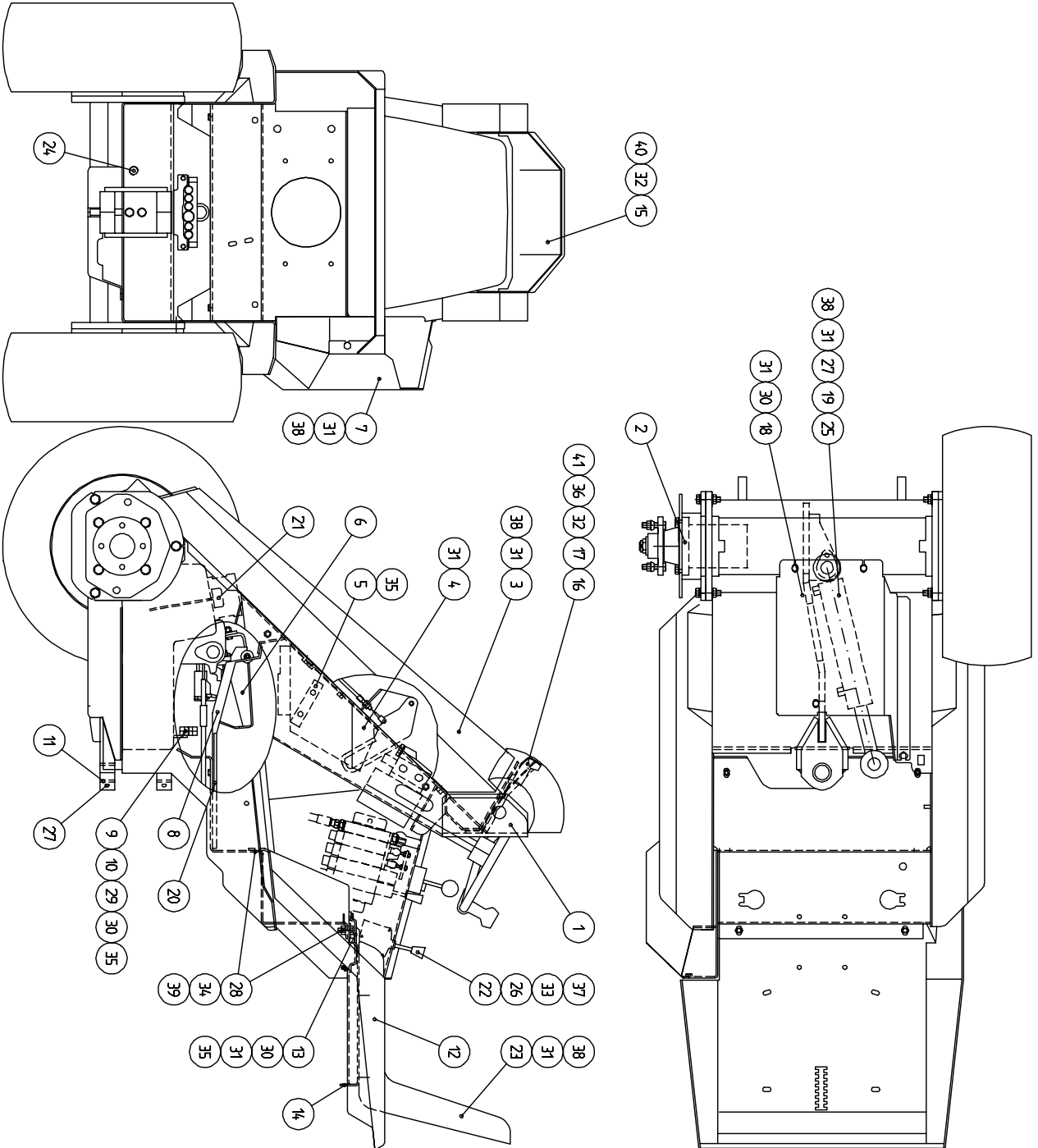
1	A2792	1	CHASSIS, FRONT, ASSEMBLY 520 PLUS
2	A2791	1	CHASSIS, REAR, ASSEMBLY 520 PLUS
3	A31742	1	LOADER BOOM STD.
4	A42940	2	PIVOT PIN C35
5	A43819	1	LOCKING PLATE
6	A43036	1	RIVET
7	A43755	1	LOCKING DEVICE
8	72052	4	COUNTERSUNK SOCKET HEAD SCREW M8* 20
9	72324	2	HEXAGONAL NUT M12 DIN985
10	71727	1	RING SPLINT 9,5 MM ZN
11	64355	1	FINGER SCREW STAR SR 4522 M8 17S
12	A31893	1	HYDRAULIC HOSES, DRIVE, 520 PLUS
13	A31741	1	HYDRAULIC OIL COOLER
14	A31851	1	MAIN CONTROL VALVE + HOSE ASSEMBLY
15	73221	1	HEXAGONAL SCREW M8* 35 DIN 933 ZN
16	72319	1	HEXAGONAL NUT M8 DIN934 ZN
17	64120	4	WHEEL TRACTOR PROFILE 23*8,50-12/6 T463
18	A44054	2	DRAIN LINE, FRONT, ASSEMBLY
19	A44055	1	DRAIN LINE, REAR, ASSEMBLY
20	A44035	1	DRIVE CABLE L=925

AVANT 528 PLUS / KUBOTA D1105 A2918



1	A2792	1	CHASSIS, FRONT, ASSEMBLY
2	A2922	1	CHASSIS, REAR, ASSEMBLY
3	A31742	1	LOADER BOOM STD.
4	A42940	2	PIVOT PIN C35
5	A43819	1	LOCKING PLATE
6	A43036	1	RIVET
7	A43755	1	LOCKING DEVICE
8	72052	4	COUNTERSUNK SOCKET HEAD SCREW M8* 20
9	72324	2	HEXAGONAL NUT M12 DIN985
10	71727	1	RING SPLINT 9,5 MM ZN
11	64355	1	FINGER SCREW STAR SR 4522 M8 17S
12	A31893	1	HYDRAULIC HOSES, DRIVE, 520 PLUS
13	A31741	1	HYDRAULIC OIL COOLER
14	A31851	1	MAIN CONTROL VALVE + HOSE ASSEMBLY
15	73221	1	HEXAGONAL SCREW M8* 35 DIN 933 ZN
16	72319	1	HEXAGONAL NUT M8 DIN934 ZN
17	64120	4	WHEEL TRACTOR PROFILE 23*8,50-12/6 T463
18	A44054	2	DRAIN LINE, FRONT, ASSEMBLY
19	A44055	1	DRAIN LINE, REAR, ASSEMBLY
20	A44035	1	DRIVE CABLE L=925

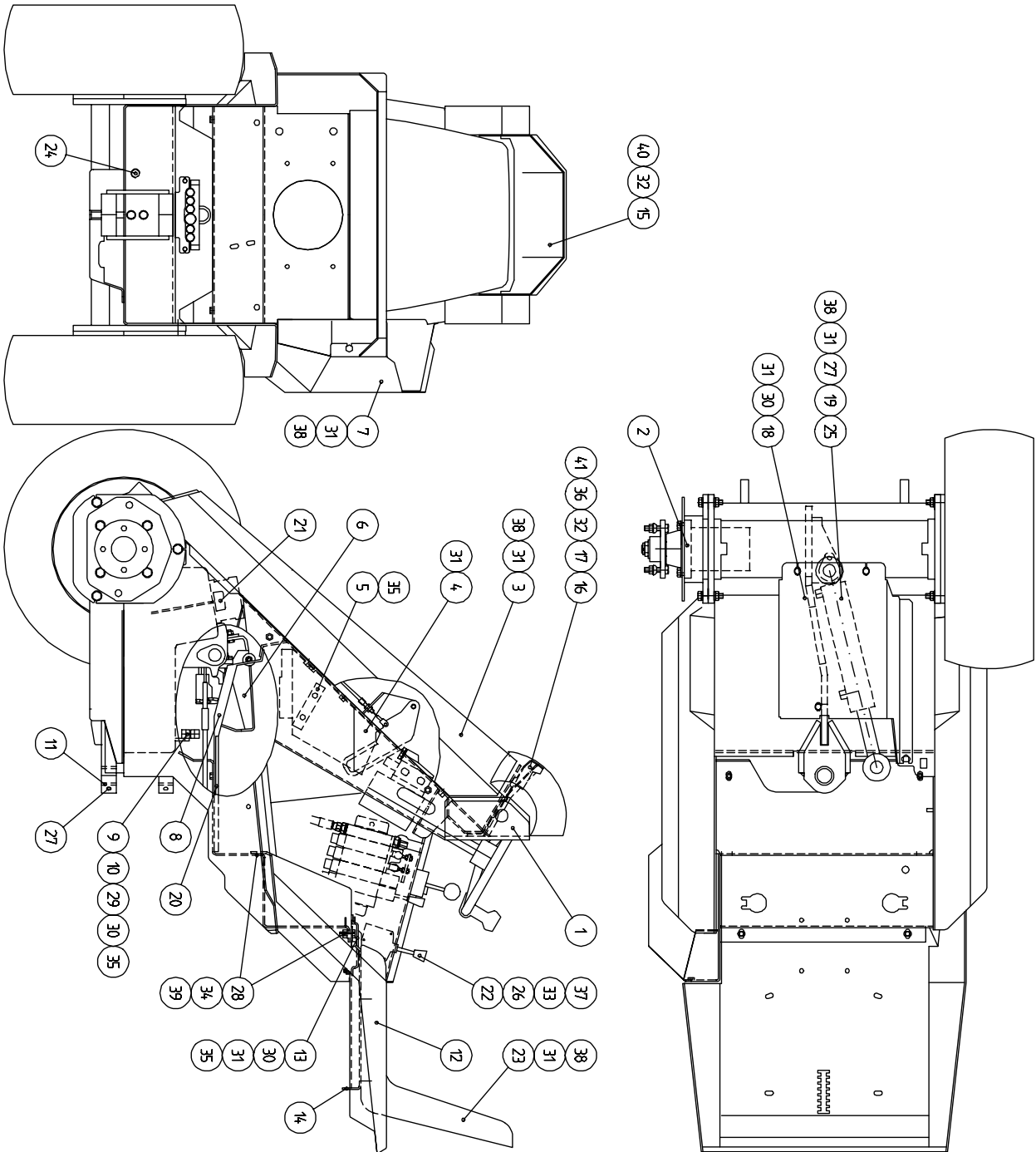
CHASSIS, FRONT, ASSEMBLY AVANT 513/GX390 A2815



CHASSIS, FRONT, ASSEMBLY AVANT 513/GX390 A2815

1	A2772	1	CHASSIS, FRONT, ASSEMBLY, 500 SERIES
2	A43974	2	HYDRAULIC MOTOR, ASSEMBLY, OMS
3	A31702	1	FRONT COVER PLATE
4	A42770	1	HOSE COVER
5	A42439	1	HOSE CLAMP FOR 4 HOSES
6	A31555	1	DRIVE PEDAL
7	A43734	1	CONTROL VALVE COVER
8	A43171	1	BOTTOM PLATE
9	A43097	1	HOSE CLAMP, LOWER
10	A43098	1	HOSE CLAMP, UPPER
11	A42797	2	BUSHING, ARTICULATION JOINT
12	A43731	1	SEAT BASE
13	A43740	1	GROOVE
14	A43739	1	SEAT FRAME
15	A31542	1	FINGER PROTECTING COVER
16	A31501	1	DASHBOARD / 500 SERIES
17	A31846	1	ELECTRIC WIRING 513
18	A43751	1	ARTICULATION CYLINDER COVER
19	A42805	2	PIVOT PIN, ARTICUL. CYLINDER C30
20	A42773	1	CARPET PYRAMINE 3033
21	A3958	1	DIPSTICK-BREATHER R 1 1/4"
22	73762	1	CONTROL DEVICE F7110 (HAND THROTTLE)
23	64106	1	SEAT PRAMA ART.205SC
24	64352	1	HEXAGONAL PLUG R 1/2" MAGN.
25	A42791	1	HYDR. CYLINDER F50/F30-172 LMIN=399
26	A43104	1	THROTTLE WIRE, HAND THROTTLE
27	72798	4	GREASE NIPPLE R 1/8" STRAIGHT
28	72151	4	HEXAGONAL SCREW M10* 30 DIN933 ZN
29	72135	2	HEXAGONAL SCREW M8* 40 DIN931 ZN
30	72133	5	HEXAGONAL SCREW M 8* 3 DIN933 ZN
31	73039	18	HEXAGONAL SCREW M8* 16 DIN933 ZN
32	72116	8	HEXAGONAL SCREW M6* 12 DIN933 ZN
33	74582	3	COUNTERSUNK SLOTHEAD SCREW M4* 25
34	72322	4	HEXAGONAL NUT M10 DIN985 ZN NYLOC
35	72320	9	HEXAGONAL NUT M 8 DIN985 ZN NYLOC
36	72318	4	HEXAGONAL NUT M 6 DIN985 ZN NYLOC
37	72313	3	HEXAGONAL NUT M 4 DIN985 ZN NYLOC
38	74525	15	WASHER M 8 8,4*20*1,25 ZN
39	74423	4	WASHER M10 11 DIN 126
40	74523	4	WASHER M 6 6,5*20*1,25 ZN
41	73355	4	WASHER M 6 6,6 DIN 126 ZN

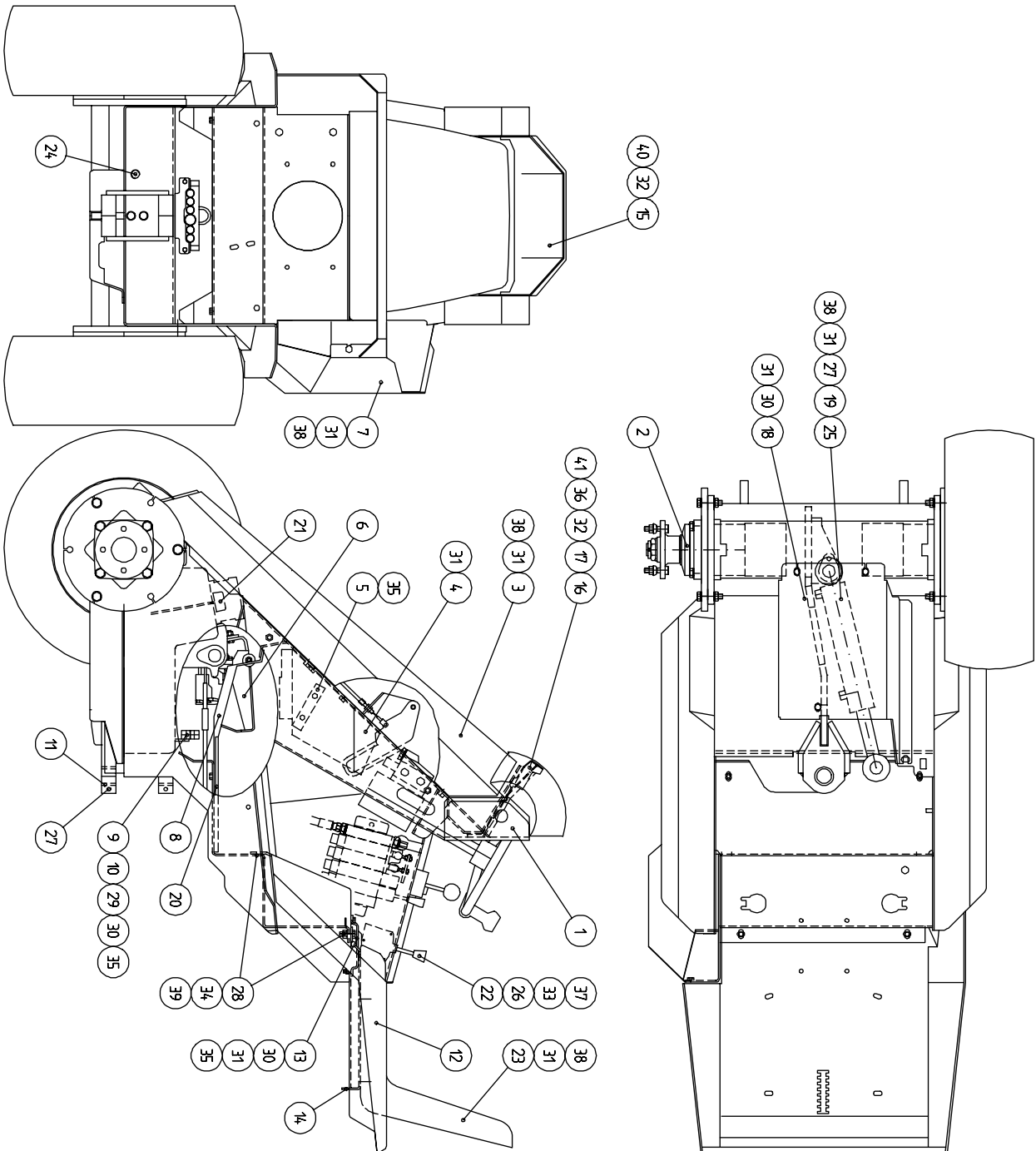
CHASSIS, FRONT, ASSEMBLY AVANT 514 & 520 A2793



CHASSIS, FRONT, ASSEMBLY AVANT 514 & 520 A2793

1	A2772	1	CHASSIS, FRONT, ASSEMBLY, 500 SERIES
2	A43974	2	HYDRAULIC MOTOR, ASSEMBLY, OMS
3	A31702	1	FRONT COVER PLATE
4	A42770	1	HOSE COVER
5	A42439	1	HOSE CLAMP FOR 4 HOSES
6	A31555	1	DRIVE PEDAL
7	A43734	1	CONTROL VALVE COVER
8	A43171	1	BOTTOM PLATE
9	A43097	1	HOSE CLAMP, LOWER
10	A43098	1	HOSE CLAMP, UPPER
11	A42797	2	BUSHING ARTICULATION JOINT
12	A43731	1	SEAT BASE
13	A43740	1	GROOVE
14	A43739	1	SEAT FRAME
15	A31542	1	FINGER PROTECTING COVER
16	A31509	1	DASHBOARD
17	A31925	1	ELECTRIC WIRING DIESEL
18	A43751	1	ARTICULATION CYLINDER COVER
19	A42805	2	PIVOT PIN, ARTICUL.CYLINDER C30, FRONT
20	A42773	1	CARPET PYRAMINIMATTO 3033
21	A3958	1	DIPSTICK-BREATHER R 1 1/4"
22	73762	1	CONTROL DEVICE F7110 (HAND THROTTLE)
23	64106	1	SEAT PRAMA ART.205SC
24	64352	1	HEXAGONAL PLUG R 1/2" MAGN.
25	A42791	1	HYDR. CYLINDER F50/F30-172 LMIN=399
26	A43104	1	THROTTLE WIRE, HAND THROTTLE
27	72798	4	GREASE NIPPLE R 1/8" STRAIGHT
28	72151	4	HEXAGONAL SCREW M10* 30 DIN933 ZN
29	72135	2	HEXAGONAL SCREW M 8* 40 DIN931 ZN
30	72133	5	HEXAGONAL SCREW M 8* 30 DIN933 ZN
31	73039	18	HEXAGONAL SCREW M 8* 16 DIN 933 ZN
32	72116	8	HEXAGONAL SCREW M 6* 12 DIN 933 ZN
33	74582	3	COUNTERSUNK SLOTHEAD SCREW M 4* 25
34	72322	4	HEXAGONAL NUT M10 DIN985 ZNNYLOC
35	72320	9	HEXAGONAL NUT M 8 DIN985 ZNNYLOC
36	72318	4	HEXAGONAL NUT M 6 DIN985 ZNNYLOC
37	72313	3	HEXAGONAL NUT M 4 DIN985 ZNNYLOC
38	74525	15	WASHER M 8 8,4*20*1,25 ZN
39	74423	4	WASHER M10 11 DIN 126
40	74523	4	WASHER M 6 6,5*20*1,25 ZN
41	73355	4	WASHER M 6 6,6 DIN 126 ZN

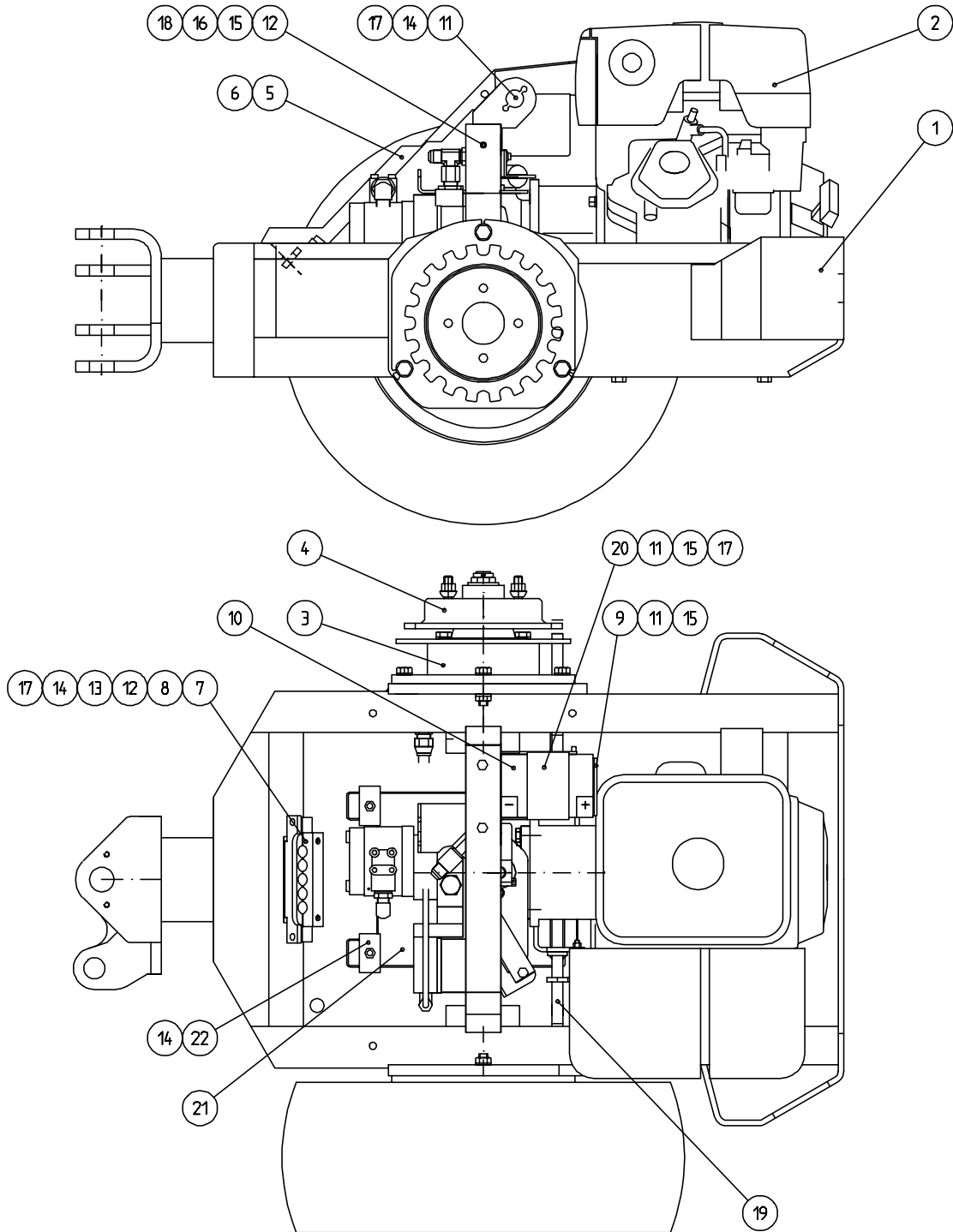
CHASSIS, FRONT, ASSEMBLY AVANT 520 PLUS & 528 PLUS A2792



CHASSIS, FRONT, ASSEMBLY AVANT 520 PLUS & 528 PLUS A2792

1	A2772	1	CHASSIS, FRONT, ASSEMBLY, 500 SERIES
2	A43975	1	TRANSMISSION, OMT, FRONT
3	A31702	1	FRONT COVER PLATE
4	A42770	1	HOSE COVER
5	A42439	1	HOSE CLAMP FOR 4 HOSES
6	A31555	1	DRIVE PEDAL
7	A43734	1	CONTROL VALVE COVER
8	A43171	1	BOTTOM PLATE
9	A43097	1	HOSE CLAMP, LOWER, 520 PLUS
10	A43098	1	HOSE CLAMP, UPPER
11	A42797	2	BUSHING ARTICULATION JOINT
12	A43731	1	SEAT BASE
13	A43740	1	GROOVE
14	A43739	1	SEAT FRAME
15	A31542	1	FINGER PROTECTING COVER
16	A31509	1	DASHBOARD
17	A31925	1	ELECTRIC WIRING DIESEL
18	A43751	1	ARTICULATION CYLINDER COVER
19	A42805	2	PIVOT PIN, ARTICUL.CYLIND. C30, FRONT
20	A42773	1	CARPET PYRAMINE 3033
21	A3958	1	DIPSTICK-BREATHER R 1 1/4"
22	73762	1	CONTROL DEVICE F7110 (HAND THROTTLE)
23	64106	1	SEAT PRAMA ART.205SC
24	64352	1	HEXAGONAL PLUG R 1/2" MAGN.
25	A42791	1	HYDR. CYLINDER F50/F30-172 LMIN=399
26	A43104	1	THROTTLE WIRE, HAND THROTTLE
27	72798	4	GREASE NIPPLE R 1/8" STRAIGHT
28	72151	4	HEXAGONAL SCREW M10* 30 DIN933 ZN
29	72135	2	HEXAGONAL SCREW M 8* 40 DIN931 ZN
30	72133	5	HEXAGONAL SCREW M 8* 30 DIN933 ZN
31	73039	18	HEXAGONAL SCREW M 8* 16 DIN933 ZN
32	72116	8	HEXAGONAL SCREW M 6* 12 DIN933 ZN
33	74582	3	COUNTERSUNK SLOTHEAD SCREW M 4* 25
34	72322	4	HEXAGONAL NUT M10 DIN985 ZN NYLOC
35	72320	9	HEXAGONAL NUT M 8 DIN985 ZN NYLOC
36	72318	4	HEXAGONAL NUT M 6 DIN985 ZN NYLOC
37	72313	3	HEXAGONAL NUT M 4 DIN985 ZN NYLOC
38	74525	15	WASHER M 8 8,4*20*1,25 ZN
39	74423	4	WASHER M10 11 DIN 126
40	74523	4	WASHER M 6 6,5*20*1,25 ZN
41	73355	4	WASHER M 6 6,6 DIN 126 ZN

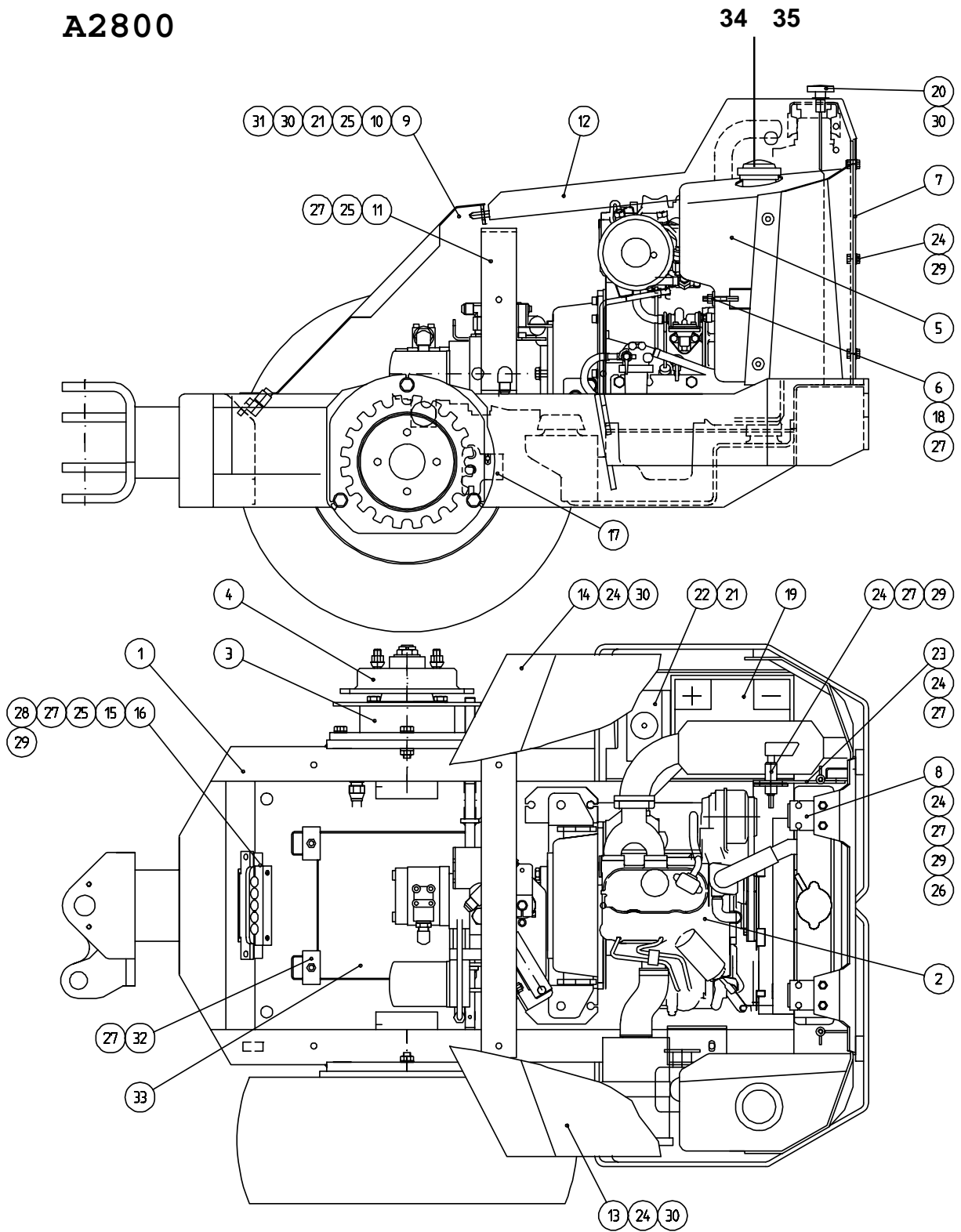
CHASSIS, REAR, ASSEMBLY AVANT 513/GX390 A2789



CHASSIS, REAR, ASSEMBLY AVANT 513/GX390 A2789

1	A2779	1	CHASSIS, REAR, ASSEMBLY, 513 / GX390
2	A31853	1	ENGINE ASSY 513 / HONDA GX390
3	A43974	2	HYDRAULIC MOTOR, ASSEMBLY, OMS
4	A43897	2	PARKING BRAKE DISC
5	A42870	1	FRONT COVER 513/GX390, LEFT
6	A42871	1	FRONT COVER 513/GX390, RIGHT
7	A42794	1	HOSE CLAMP, LOWER
8	A42796	1	HOSE CLAMP, UPPER
9	A44198	1	BATTERY SUPPORT
10	64244	1	BATTERY 12V 30AH VARTA 53030
11	72130	5	HEXAGONAL SCREW M 8* 20 DIN933 ZN
12	72133	4	HEXAGONAL SCREW M 8* 30 DIN933 ZN
13	72135	2	HEXAGONAL SCREW M 8* 40 DIN931 ZN
14	72320	4	HEXAGONAL NUT M 8 DIN985 ZNNYLOC
15	72319	5	HEXAGONAL NUT M 8 DIN934 ZN
16	64188	2	FINGER SCREW R5026M8S
17	73354	5	WASHER M 8 9 DIN 126 ZN
18	71685	2	WASHER M 8 R9 DIN 440 ZN
19	A31739	1	PARKING BRAKE
20	A44199	1	BATTERY HOLDING CLAMP
21	A44206	1	CLEANING HATCH
22	A44210	2	PIVOT PIECE

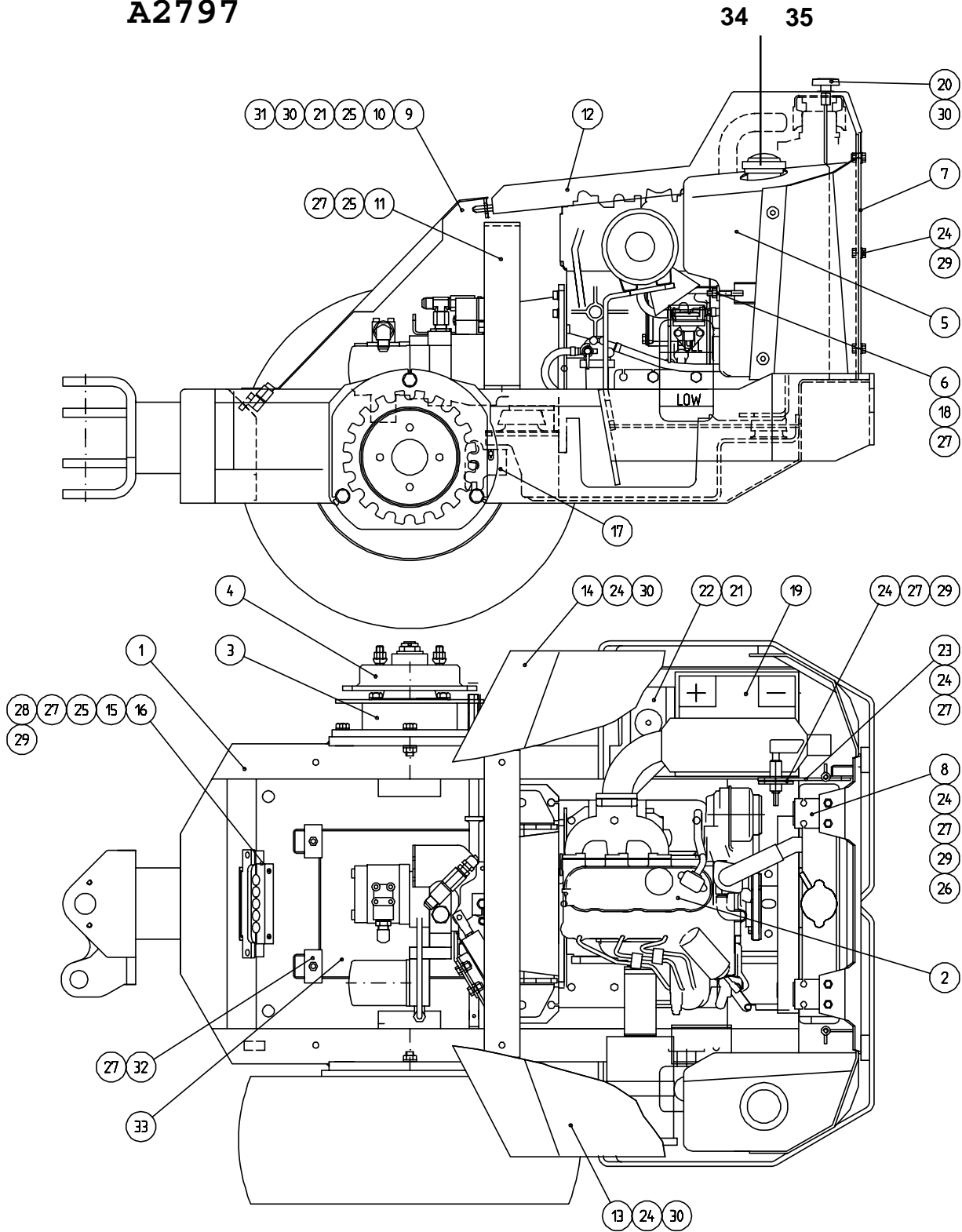
CHASSIS, REAR, ASSEMBLY AVANT 514 / Z482 A2800



CHASSIS, REAR, ASSEMBLY AVANT 514 / Z482 A2800

1	A2771	1	CHASSIS, REAR, ASSEMBLY
2	A2820	1	ENGINE ASSY Z482 STD
3	A43974	2	HYDRAULIC MOTOR, ASSEMBLY, OMS
4	A43897	2	PARKING BRAKE DISC
5	A44480	1	FUEL TANK 18 L
6	A43431	1	SUPPORT
7	A43407	1	NET
8	A43210	2	EAR, UPPER, RADIATOR, STD.
9	A43919	1	FRONT COVER PLATE, LEFT
10	A43920	1	FRONT COVER PLATE, RIGHT
11	A44086	1	RIVET
12	A43421	1	COVER PLATE, CENTER
13	A43921	1	SIDE PLATE, LEFT
14	A43922	1	SIDE PLATE, RIGHT
15	A42794	1	HOSE CLAMP, LOWER
16	A42796	1	HOSE CLAMP, UPPER
17	A31739	1	PARKING BRAKE
18	A43432	1	SCREW ROD
19	64199	1	BATTERY 12V 48AH
20	64355	2	FINGER SCREW STAR SR 4522 M8 17S
21	64188	3	FINGER SCREW R5026M8S
22	A44084	1	BATTERY HOLDING CLAMP
23	A44083	1	SUPPORT, BATTERY DISCONNECT SWITCH
24	72130	18	HEXAGONAL SCREW M 8* 20 DIN933 ZN
25	72133	6	HEXAGONAL SCREW M 8* 30 DIN933 ZN
26	64369	4	RUBBER PLUG 201160 F40/F25-16 S=3
27	72320	14	HEXAGONAL NUT M 8 DIN985 ZNNYLOC
28	72135	2	HEXAGONAL SCREW M 8* 40 DIN931 ZN
29	73354	14	WASHER M 8 9 DIN 126 ZN
30	71685	6	WASHER M 8 R9 DIN 440 ZN KORI
31	64381	4	GROMMET F27/18/10,S=4H=11
32	A44210	2	PIVOT PIECE
33	A44206	1	CLEANING HATCH
34	A43295	1	FUEL GAUGE
35	A43133	1	THREADED COLLAR / FUEL GAUGE

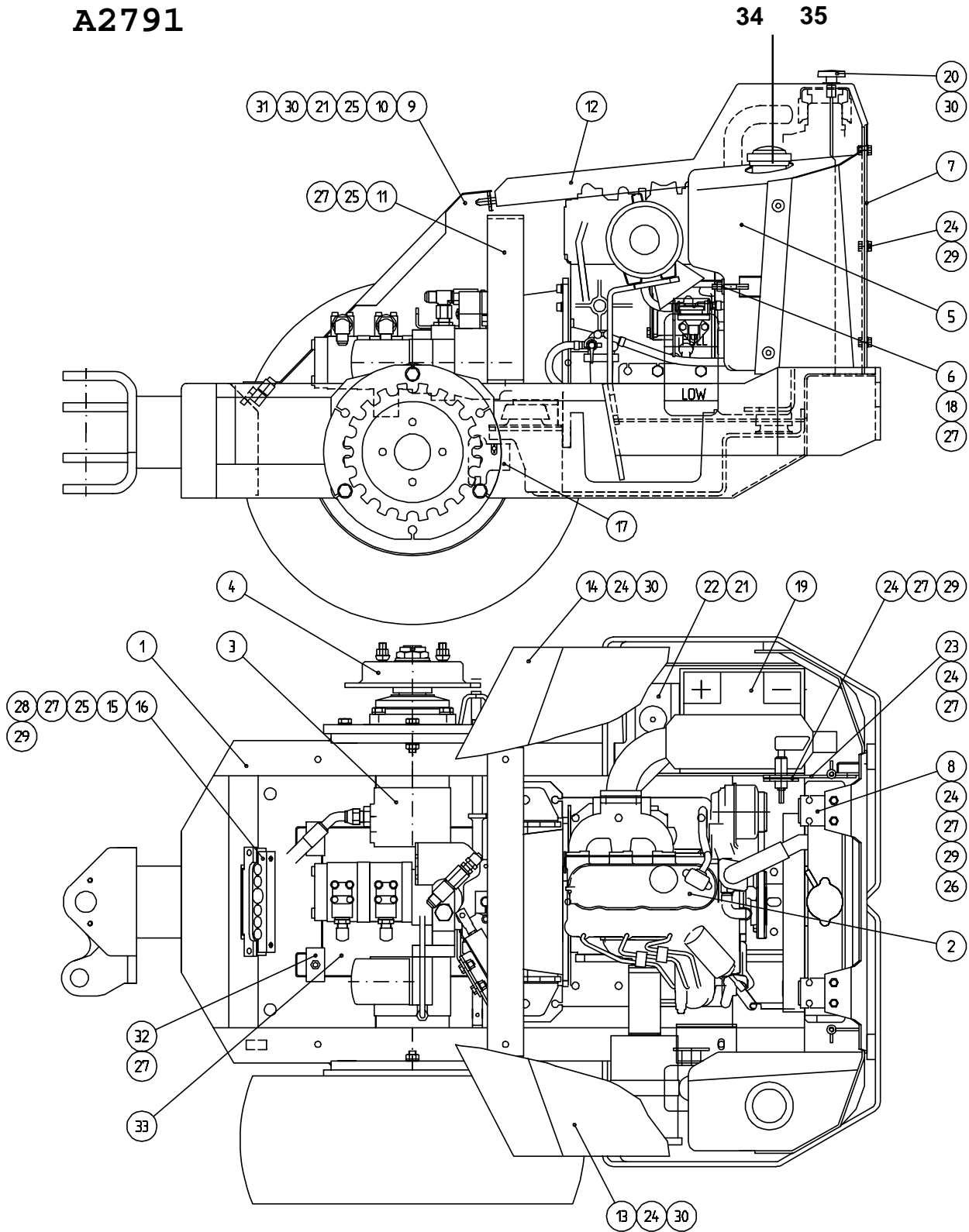
CHASSIS, REAR, ASSEMBLY AVANT 520 A2797



CHASSIS, REAR, ASSEMBLY AVANT 520 A2797

1	A2771	1	CHASSIS, REAR, ASSEMBLY
2	A2818	1	ENGINE ASSY D722 STD
3	A43974	2	HYDRAULIC MOTOR, ASSEMBLY, OMS
4	A43897	2	PARKING BRAKE DISC
5	A44480	1	FUEL TANK 18 L
6	A43431	1	SUPPORT
7	A43407	1	NET
8	A43210	2	EAR, UPPER, RADIATOR, STD.
9	A43919	1	FRONT COVER PLATE, LEFT
10	A43920	1	FRONT COVER PLATE, RIGHT
11	A44086	1	RIVET
12	A43421	1	COVER PLATE, CENTER
13	A43921	1	SIDE PLATE, LEFT
14	A43922	1	SIDE PLATE, RIGHT
15	A42794	1	HOSE CLAMP, LOWER
16	A42796	1	HOSE CLAMP, UPPER
17	A31739	1	PARKING BRAKE
18	A43432	1	SCREW ROD
19	64199	1	BATTERY 12V 48AH
20	64355	2	FINGER SCREW STAR SR 4522 M8 17S
21	64188	3	FINGER SCREW R5026M8S
22	A44084	1	BATTERY HOLDING CLAMP
23	A44083	1	SUPPORT, BATTERY DISCONNECT SWITCH
24	72130	18	HEXAGONAL SCREW M 8* 20 DIN 933 ZN
25	72133	6	HEXAGONAL SCREW M 8* 30 DIN 933 ZN
26	64369	4	RUBBER PLUG 201160 F40/F25-16 S=3
27	72320	14	HEXAGONAL NUT M 8 DIN985 ZNNYLOC
28	72135	2	HEXAGONAL SCREW M 8* 40 DIN 931 ZN
29	73354	14	WASHER M 8 9 DIN 126 ZN
30	71685	6	WASHER M 8 R9 DIN 440 ZN KORI
31	64381	4	GROMMET F27/18/10,S=4H=11
32	A44210	2	PIVOT PIECE
33	A44206	1	CLEANING HATCH
34	A43295	1	FUEL GAUGE
35	A43133	1	THREADED COLLAR / FUEL GAUGE

CHASSIS, REAR, ASSEMBLY AVANT 520 PLUS A2791



CHASSIS, REAR, ASSEMBLY AVANT 520 PLUS A2791

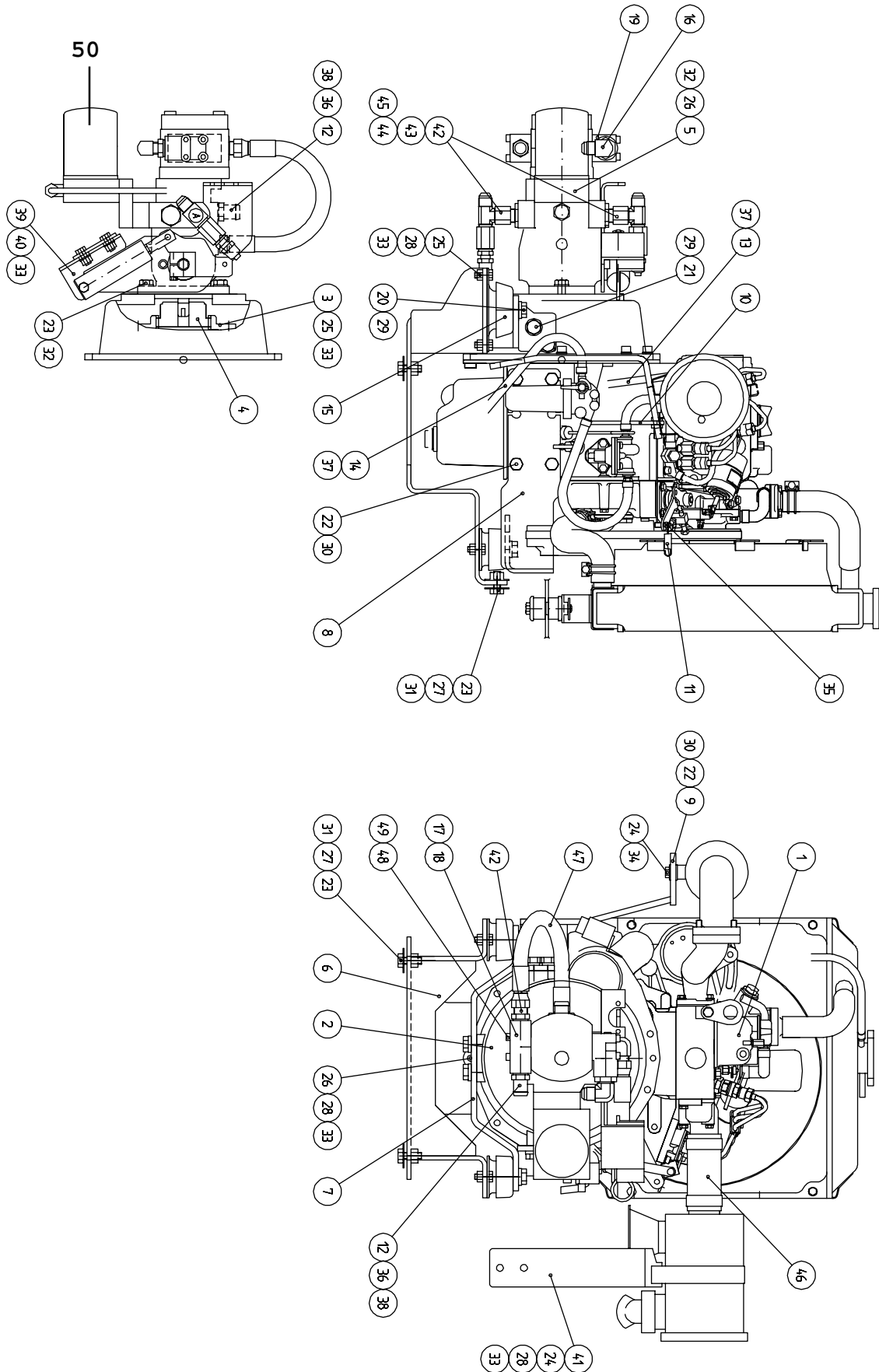
1	A2771	1	CHASSIS, REAR, ASSEMBLY
2	A2819	1	ENGINE ASSY D722 520 PLUS
3	A43976	1	TRANSMISSION, OMT, REAR
4	A43897	2	PARKING BRAKE DISC
5	A44480	1	FUEL TANK 18 L
6	A43431	1	SUPPORT
7	A43407	1	NET
8	A43210	2	EAR, UPPER, RADIATOR, STD.
9	A43919	1	FRONT COVER PLATE, LEFT
10	A43920	1	FRONT COVER PLATE, RIGHT
11	A44086	1	RIVET
12	A43421	1	COVER PLATE, CENTER
13	A43921	1	SIDE PLATE, LEFT
14	A43922	1	SIDE PLATE, RIGHT
15	A43097	1	HOSE CLAMP, LOWER, 520 PLUS
16	A43099	1	HOSE CLAMP, UPPER, 520 PLUS
17	A31739	1	PARKING BRAKE
18	A43432	1	SCREW ROD
19	64199	1	BATTERY 12V 48AH
20	64355	2	FINGER SCREW STAR SR 4522 M8 17S
21	64188	3	FINGER SCREW R5026M8S
22	A44084	1	BATTERY HOLDING CLAMP
23	A44083	1	SUPPORT, BATTERY DISCONNECT SWITCH
24	72130	18	HEXAGONAL SCREW M 8* 20 DIN 933 ZN
25	72133	6	HEXAGONAL SCREW M 8* 30 DIN 933 ZN
26	64369	4	RUBBER PLUG 201160 F40/F25-16 S=3
27	72320	14	HEXAGONAL NUT M 8 DIN985 ZNNYLOC
28	72135	2	HEXAGONAL SCREW M 8* 40 DIN931 ZN
29	73354	14	WASHER M 8 9 DIN 126 ZN
30	71685	6	WASHER M 8 R9 DIN 440 ZN KORI
31	64381	4	GROMMET F27/18/10,S=4H=11
32	A44210	2	PIVOT PIECE
33	A44206	1	CLEANING HATCH
34	A43295	1	FUEL GAUGE
35	A43133	1	THREADED COLLAR / FUEL GAUGE

**CHASSIS, REAR, ASSEMBLY AVANT 528 PLUS
A2922**

CHASSIS, REAR, ASSEMBLY AVANT 528 PLUS A2922

1	A2920	1	CHASSIS, REAR, ASSEMBLY
2	A2921	1	ENGINE ASSY D1105 528 PLUS
3	A43976	1	TRANSMISSION, OMT, REAR
4	A43897	2	PARKING BRAKE DISC
5	A44480	1	FUEL TANK 18 L
6	A43431	1	SUPPORT
7	A44313	1	NET, REAR
8	A43919	1	FRONT COVER PLATE, LEFT
9	A43920	1	FRONT COVER PLATE, RIGHT
10	A44311	1	COVER PLATE, ENGINE
11	A44316	1	SIDE PLATE, LEFT
12	A44317	1	SIDE PLATE, RIGHT
13	A44086	1	RIVET
14	A44084	1	BATTERY HOLDING CLAMP
15	A44210	2	PIVOT PIECE
16	A44206	1	CLEANING HATCH
17	A43097	1	HOSE CLAMP, LOWER, 520 PLUS
18	A43099	1	HOSE CLAMP, UPPER, 520 PLUS
19	A43432	1	SCREW ROD
20	A31739	1	PARKING BRAKE
21	A44083	1	SUPPORT, BATTERY DISCONNECT SWITCH
22	A43210	2	EAR, UPPER, RADIATOR, STD.
23	64199	1	BATTERY 12V 48AH
24	64355	2	FINGER SCREW STAR SR 4522 M8 17S
25	64188	3	FINGER SCREW R5026M8S
26	64369	4	RUBBER PLUG 201160 F40/F25-16 S=3
27	64381	4	GROMMET F27/18/10,S=4H=11
28	72130	18	HEXAGONAL SCREW M 8* 20 DIN 933 ZN
29	72133	6	HEXAGONAL SCREW M 8* 30 DIN 933 ZN
30	72135	2	HEXAGONAL SCREW M 8* 40 DIN931 ZN
31	72320	14	HEXAGONAL NUT M 8 DIN985 ZNNYLOC
32	73354	14	WASHER M 8 9 DIN 126 ZN
33	71685	6	WASHER M 8 R9 DIN 440 ZN KORI
34	A43295	1	FUEL GAUGE
35	A43133	1	THREADED COLLAR / FUEL GAUGE

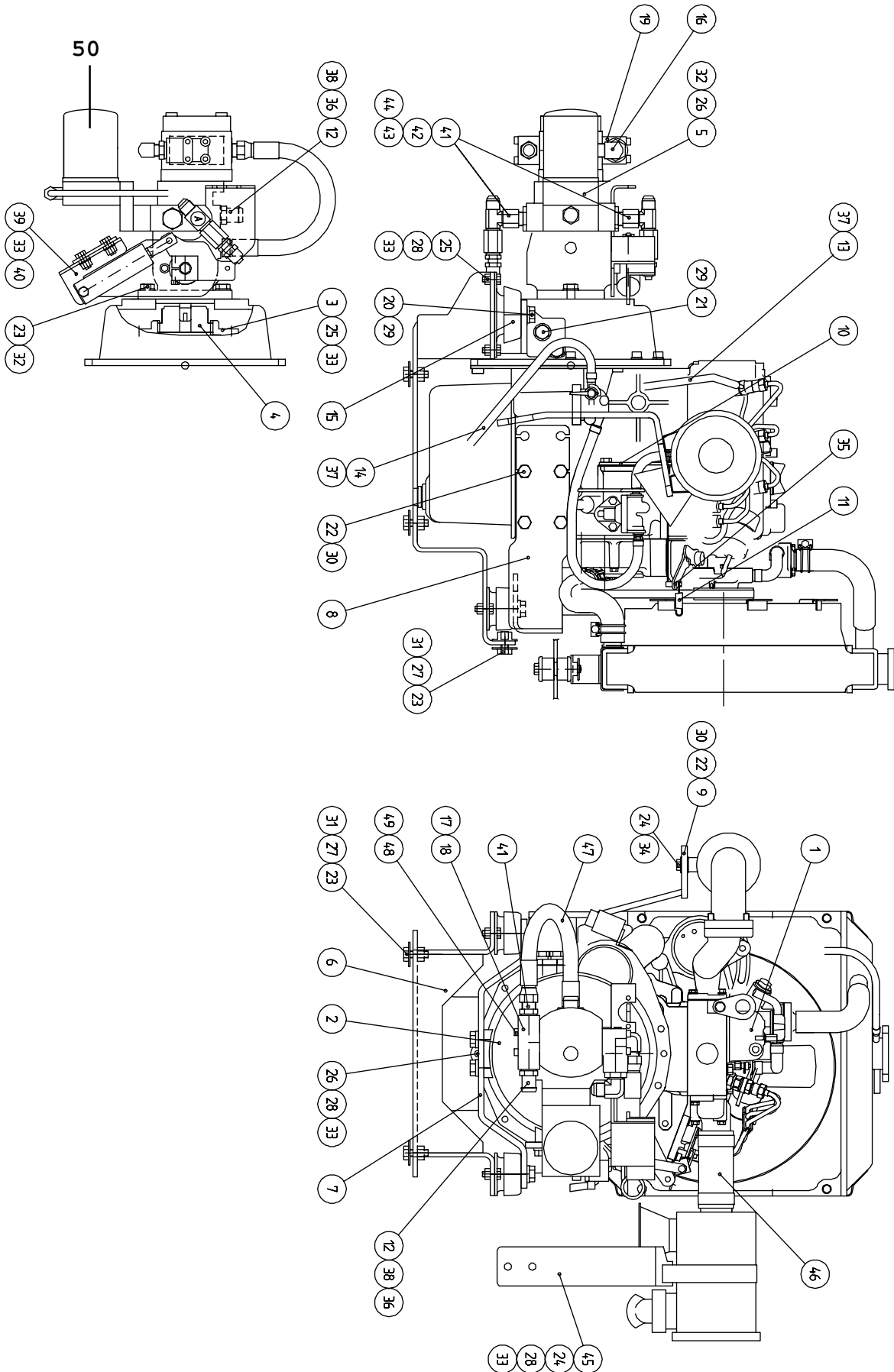
ENGINE ASSY AVANT 514 / Z482 STD
A2820



AVANT 500 SERIES PARTS LIST

1	64183	1	COMBUSTION ENGINE. KUBOTA Z482 14HP
2	64555	1	FLYWHEEL HOUSING EAK4986
3	A44462	1	ADAPTER CENTAFLEX 4
4	64608	1	COUPLING CENTAFLEX 16/32 Z=11
5	64622	1	HYDRAULIC PUMP AXIAL PUMP V013+6, Z=11
6	A43529	1	ENGINE CRADLE Z482
7	A43522	1	ENGINE MOUNTING PLATE, REAR
8	A43523	1	ENGINE MOUNTING PLATE, FRONT
9	A43525	1	SUPPORT, EXHAUST PIPE D722/Z482
10	A42156	1	EAR, THROTTLE WIRE
11	A43527	1	RETAINING SPRING, THROTTLE L=40
12	64110	2	HOSE FITTING R1/2"UK - 19 MM L=44
13	A43032	1	FUEL HOSE, RETURN L= 400
14	A43031	1	FUEL HOSE, INLET L=400
15	63656	3	VIBRATION DAMPER 17-1600-1M65
16	64166	1	ELBOW FITTING 90° C40XS10-1/2"
17	74593	1	O RING 22.2*3.0
18	A44178	1	INLET PORT
19	64298	1	PRESSURE FLANGE 1GB12 (R1/2"-F35 AL)
20	73042	3	HEXAGONAL SCREW M12* 35 DIN 933 ZN
21	72165	6	HEXAGONAL SCREW M12* 20 DIN 933 ZN
22	73936	8	HEXAGONAL SCREW M10*1,25 -25 DIN 961
23	72151	8	HEXAGONAL SCREW M10* 30 DIN 933 ZN
24	72132	1	HEXAGONAL SCREW M 8* 25 DIN 933 ZN
25	72130	15	HEXAGONAL SCREW M 8* 20 DIN 933 ZN
26	73100	6	HEXAGONAL HEAD SCREW M 8* 30 DIN 912
27	72322	6	HEXAGONAL NUT M10 DIN 985 NYLOC
28	72320	10	HEXAGONAL NUT M 8 DIN 985 NYLOC
29	73613	9	WASHER M12 A12 DIN 127
30	73612	8	WASHER M10 A10 DIN 127
31	73018	6	WASHER M10 R11 DIN 440 ZN
32	74531	2	WASHER, PAIR, M10 NL10 NORDLOCK
33	73962	14	WASHER M 8 A8 DIN 127 ZN
34	71685	2	WASHER M 8 R9 DIN 440 ZN
35	74415	1	SCREW FITTING 128.244 S&N
36	73530	4	HOSE CLAMP ABA 22-32 MM ZN
37	74405	4	HOSE CLAMP MINI ABA 13MM
38	A43030	2	INLET HOSE %%C20 L=800
39	A31919	1	VARIABLE DISPLACEMENT PUMP CONTROL UNIT
40	74480	1	HEXAGONAL HEAD SCREW M 8* 16 DIN 912
41	A44060	1	CLAMP, AIR FILTER
42	64058	3	BASIC FITTING F40XS12-1/2
43	64307	2	T FITTING BODY S6XS12
44	64194	2	TEST FITTING TT4XS12-1/4"
45	64196	2	MANOMETER FITTING M16*2
46	64558	1	INLET HOSE F44/F40-135
47	A44200	1	HYDRAULIC HOSE L=340 1LW-06
48	74438	4	HEXAGONAL HEAD SCREW M 6* 40 DIN 912
49	74452	4	WASHER M 6 A6 DIN 127 ZN
50	64589	1	PRESSURE FILTER CART. LINDE 000.983.06.23

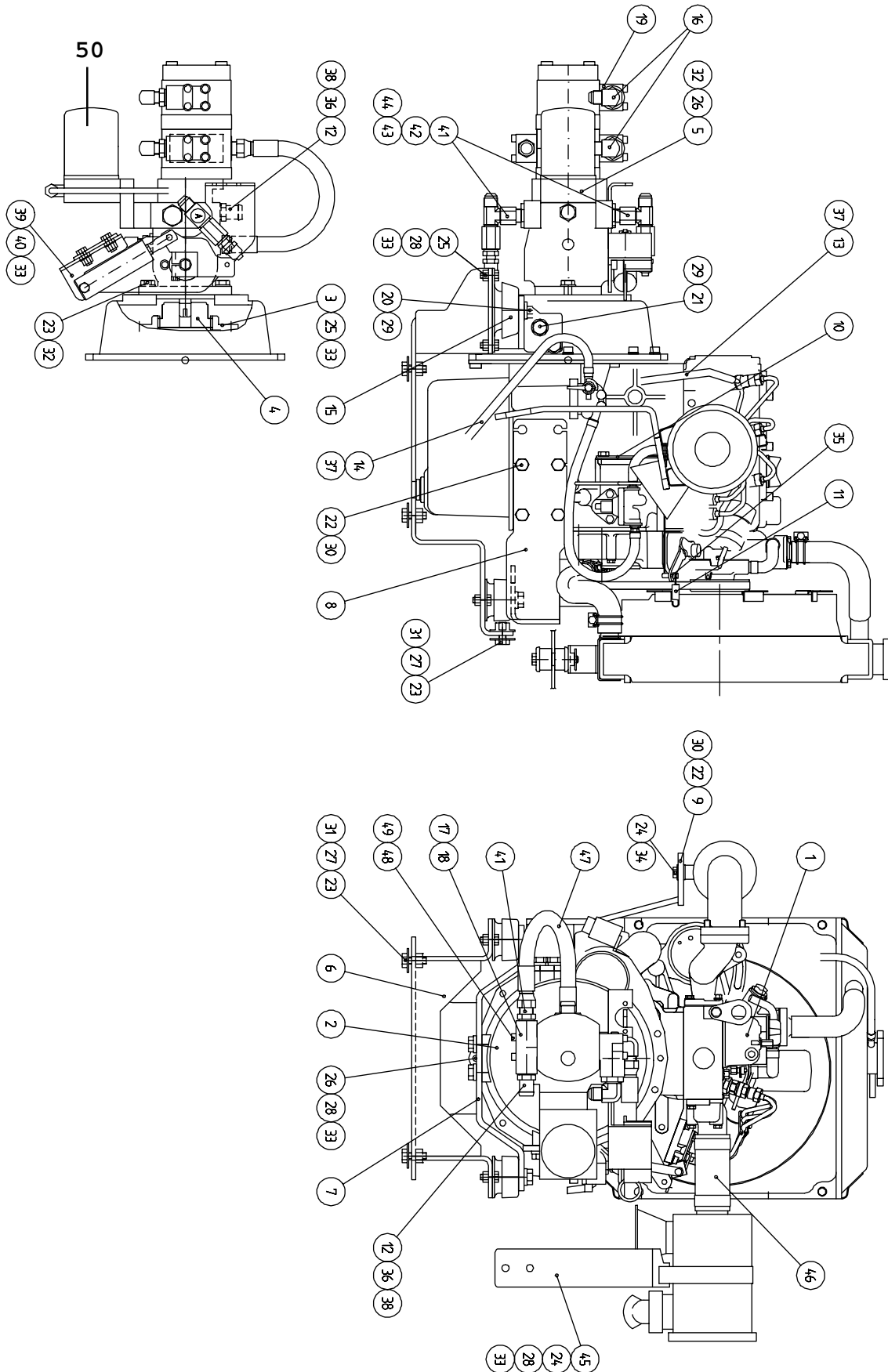
ENGINE ASSY AVANT 520 / D722 STD A2818



AVANT 500 SERIES PARTS LIST

1	64182	1	COMBUSTION ENGINE. KUBOTA D722 20HP
2	64555	1	FLYWHEEL HOUSING EAK4986
3	A44462	1	ADAPTER CENTAFLEX 4
4	64608	1	COUPLING CENTAFLEX 16/32 Z=11
5	64623	1	HYDRAULIC PUMP AXIAL PUMP V013+8.5, Z=11
6	A43524	1	ENGINE CRADLE D722
7	A43522	1	ENGINE MOUNTING PLATE, REAR
8	A43523	1	ENGINE MOUNTING PLATE, FRONT
9	A43525	1	SUPPORT, EXHAUST PIPE D722/Z482
10	A42156	1	EAR, THROTTLE WIRE
11	A43527	1	RETAINING SPRING, THROTTLE L=40
12	64110	2	HOSE FITTING R1/2"UK - 19 MM L=44
13	A43032	1	FUEL HOSE, RETURN L= 400
14	A43031	1	FUEL HOSE, INLET L=400
15	63656	3	VIBRATION DAMPER 17-1600-1M65
16	64166	1	ELBOW FITTING 90° C40XS10-1/2"
17	74593	1	O RING 22.2*3.0
18	A44178	1	INLET PORT
19	64298	1	PRESSURE FLANGE 1GB12 (R1/2"-F35 AL)
20	73042	3	HEXAGONAL SCREW M12* 35 DIN 933 ZN
21	72165	6	HEXAGONAL SCREW M12* 20 DIN 933 ZN
22	73936	8	HEXAGONAL SCREW M10*1,25 -25 DIN 961
23	72151	8	HEXAGONAL SCREW M10* 30 DIN 933 ZN
24	72132	7	HEXAGONAL SCREW M 8* 25 DIN 933 ZN
25	72130	11	HEXAGONAL SCREW M 8* 20 DIN 933 ZN
26	73100	6	HEXAGONAL HEAD SCREW M 8* 30 DIN 912
27	72322	6	HEXAGONAL NUT M10 DIN 985 NYLOC
28	72320	10	HEXAGONAL NUT M 8 DIN 985 NYLOC
29	73613	9	WASHER M12 A12 DIN 127 JOUSI
30	73612	8	WASHER M10 A10 DIN 127 JOUSI
31	73018	6	WASHER M10 R11 DIN 440 ZN KORI
32	74531	2	WASHER, PAIR, M10 NL10 NORDLOCK
33	73962	14	WASHER M 8 A8 DIN 127 ZN JOUSI
34	71685	2	WASHER M 8 R9 DIN 440 ZN KORI
35	74415	1	SCREW FITTING 128.244 S&N
36	73530	4	HOSE CLAMP ABA 22-32 MM
37	74405	4	HOSE CLAMP MINI ABA 13MM
38	A43030	2	INLET HOSE %%C20 L=800
39	A31919	1	VARIABLE DISPLACEMENT PUMP CONTROL UNIT
40	74480	1	HEXAGONAL HEAD SCREW M 8* 16 DIN 912
41	64058	3	BASIC FITTING F40XS12-1/2
42	64307	2	T FITTING BODY S6XS12
43	64194	2	TEST FITTING TT4XS12-1/4"
44	64196	2	MANOMETER FITTING M16*2
45	A44060	1	CLAMP, AIR FILTER
46	64558	1	INLET HOSE F44/F40-135
47	A44200	1	HYDRAULIC HOSE L=340 1LW-06
48	74438	4	HEXAGONAL HEAD SCREW M 6* 40 DIN 912
49	74452	4	WASHER M 6 A6 DIN 127
50	64589	1	PRESSURE FILTER CART. LINDE 000.983.06.23

ENGINE ASSY AVANT 520 PLUS / D722 A2819



AVANT 500 SERIES PARTS LIST

1	64182	1	COMBUSTION ENGINE	KUBOTA D722 20HP
2	64555	1	FLYWHEEL HOUSING	EAK4986
3	A44462	1	ADAPTER CENTAFLEX	4
4	64608	1	COUPLING CENTAFLEX	16/32 Z=11
5	64614	1	HYDRAULIC PUMP AXIAL PUMP	V018+6+4, Z=11
6	A43524	1	ENGINE CRADLE	D722
7	A43522	1	ENGINE MOUNTING PLATE,	REAR
8	A43523	1	ENGINE MOUNTING PLATE,	FRONT
9	A43525	1	SUPPORT, EXHAUST PIPE	D722/Z482
10	A42156	1	EAR, THROTTLE WIRE	
11	A43527	1	RETAINING SPRING,	THROTTLE L=40
12	64110	2	HOSE FITTING R1/2"UK	- 19 MM L=44
13	A43032	1	FUEL HOSE, RETURN	L= 400
14	A43031	1	FUEL HOSE, INLET	L=400
15	63656	3	VIBRATION DAMPER	17-1600-1M65
16	64166	2	ELBOW FITTING 90°	C40XS10-1/2"
17	74593	1	O-RING	22.2*3.0
18	A44178	1	INLET PORT	
19	64298	1	PRESSURE FLANGE	1GB12 (R1/2"-F35 AL)
20	73042	3	HEXAGONAL SCREW	M12* 35 DIN 933 ZN
21	72165	6	HEXAGONAL SCREW	M12* 20 DIN 933 ZN
22	73936	8	HEXAGONAL SCREW	M10*1,25 -25 DIN 961
23	72151	8	HEXAGONAL SCREW	M10* 30 DIN 933 ZN
24	72132	7	HEXAGONAL SCREW	M 8* 25 DIN 933 ZN
25	72130	11	HEXAGONAL SCREW	M 8* 20 DIN 933 ZN
26	73100	6	HEXAGONAL HEAD SCREW	M 8* 30 DIN 912
27	72322	6	HEXAGONAL NUT	M10 DIN 985 NYLOC
28	72320	10	HEXAGONAL NUT	M 8 DIN 985 NYLOC
29	73613	9	WASHER M12	A12 DIN 127
30	73612	8	WASHER M10	A10 DIN 127
31	73018	6	WASHER M10	R11 DIN 440 ZN
32	74531	2	WASHER, PAIR,	M10 NL10 NORDLOCK
33	73962	14	WASHER M 8	A8 DIN 127 ZN
34	71685	2	WASHER M 8	R9 DIN 440 ZN
35	74415	1	SCREW FITTING	128.244 S&N
36	73530	4	HOSE CLAMP	ABA 22-32 MM ZN
37	74405	4	HOSE CLAMP	MINI ABA 13MM
38	A43030	2	INLET HOSE %%C20	L=800
39	A31919	1	VARIABLE DISPLACEMENT PUMP CONTROL UNIT	
40	74480	1	HEXAGONAL HEAD SCREW	M 8* 16 DIN 912
41	64058	3	BASIC FITTING	F40XS12-1/2
42	64307	2	T FITTING BODY	S6XS12
43	64194	2	TEST FITTING	TT4XS12-1/4"
44	64196	2	MANOMETER FITTING	M16*2
45	A44060	1	CLAMP, AIR FILTER	
46	64558	1	INLET HOSE	F44/F40-135
47	A44200	1	HYDRAULIC HOSE	L=340 1LW-06
48	74438	4	HEXAGONAL HEAD SCREW	M 6* 40 DIN 912
49	74452	4	WASHER M 6	A6 DIN 127
50	64589	1	PRESSURE FILTER CART.	LINDE 000.983.06.23

**ENGINE ASSY AVANT 528 PLUS / D1105
A2921**

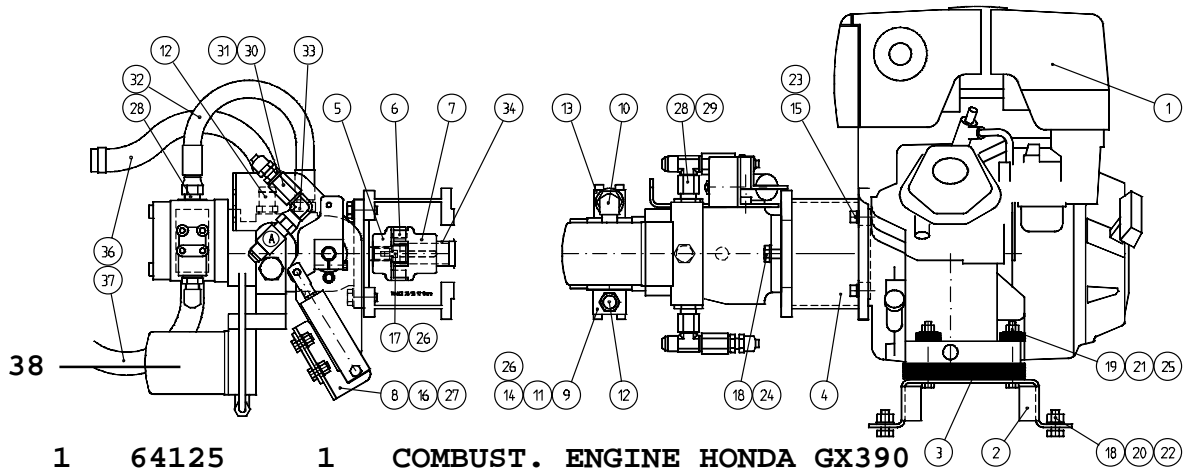
ENGINE ASSY AVANT 528 PLUS / D1105 A2921

1	64596	1	COMBUSTION ENGINE KUBOTA D1105-B 25HP
2	64615	1	FLYWHEEL HOUSING
3	64616	1	COUPLING EAK4915 16/32 Z=11, PUMP SIDE
4	64614	1	HYDRAULIC PUMP AXIAL PUMP V018+6+4, Z=11
5	A44304	1	ENGINE CRADLE D1105
6	A44301	1	ENGINE MOUNTING PLATE, REAR
7	A44302	1	ENGINE MOUNTING PLATE, FRONT
8	A44424	1	SUPPORT, EXHAUST PIPE D1105
9	A44438	1	EAR, THROTTLE WIRE
10	A44456	1	CLAMP, AIR FILTER
11	A4366	1	RETAINING SPRING SF-DF 1,2*10*90
12	74415	1	SCREW FITTING 128.244 S&N
13	A43031	1	FUEL HOSE, L=400
14	A44478	1	FUEL HOSE, L=120
15	A43032	1	FUEL HOSE, RETURN, L=400
16	A44178	1	INLET PORT
17	A31919	1	VARIABLE DISPLACEMENT PUMP CONTROL UNIT
18	A43030	2	INLET HOSE %%C20 L=800
19	64298	1	PRESSURE FLANGE 1GB12 (R1/2"-F35 AL)
20	64166	2	ELBOW FITTING 90° C40XS10-1/2"
21	64058	3	BASIC FITTING F40XS12-1/2
22	64307	2	T FITTING BODY S6XS12
23	64194	2	TEST FITTING TT4XS12-1/4"
24	64196	2	MANOMETER FITTING M16*2
25	64110	2	HOSE FITTING R1/2"UK - 19 MM L=44
26	A44200	1	HYDRAULIC HOSE L=340 1LW-06
27	74593	1	O-RING 22.2*3.0
28	73530	4	HOSE CLAMP ABA 22-32 MM ZN
29	74405	4	HOSE CLAMP MINI ABA 13MM
30	64558	1	INLET HOSE F44/F40-135
31	63656	3	VIBRATION DAMPER 17-1600-1M65
32	73042	4	HEXAGONAL SCREW M12*35 DIN 933 ZN
33	73936	8	HEXAGONAL SCREW M10*1,25-25 DIN 961
34		2	HEXAGONAL SCREW M10*1,25-60
35	72151	8	HEXAGONAL SCREW M10* 30 DIN 933 ZN
36	72144	1	HEXAGONAL SCREW M8*90 DIN 931 ZN
37	72139	7	HEXAGONAL SCREW M8*60 DIN 931 ZN
38	72132	20	HEXAGONAL SCREW M8*25 DIN 933 ZN
39	74480	1	HEXAGONAL HEAD SCREW M 8* 16 DIN 912
40	73766	2	HEXAGONAL HEAD SCREW M6*16 ZN
41	74438	4	HEXAGONAL HEAD SCREW M6*40 ZN
42		2	HEXAGONAL COUNTERSUNK HEAD SCREW M10*35
43	72322	6	HEXAGONAL NUT M 10 DIN 985 NYLOC
44	72320	22	HEXAGONAL NUT M 8 DIN 985 NYLOC
45	72318	2	HEXAGONAL NUT M 6 DIN 985 NYLOC

AVANT 500 SERIES PARTS LIST

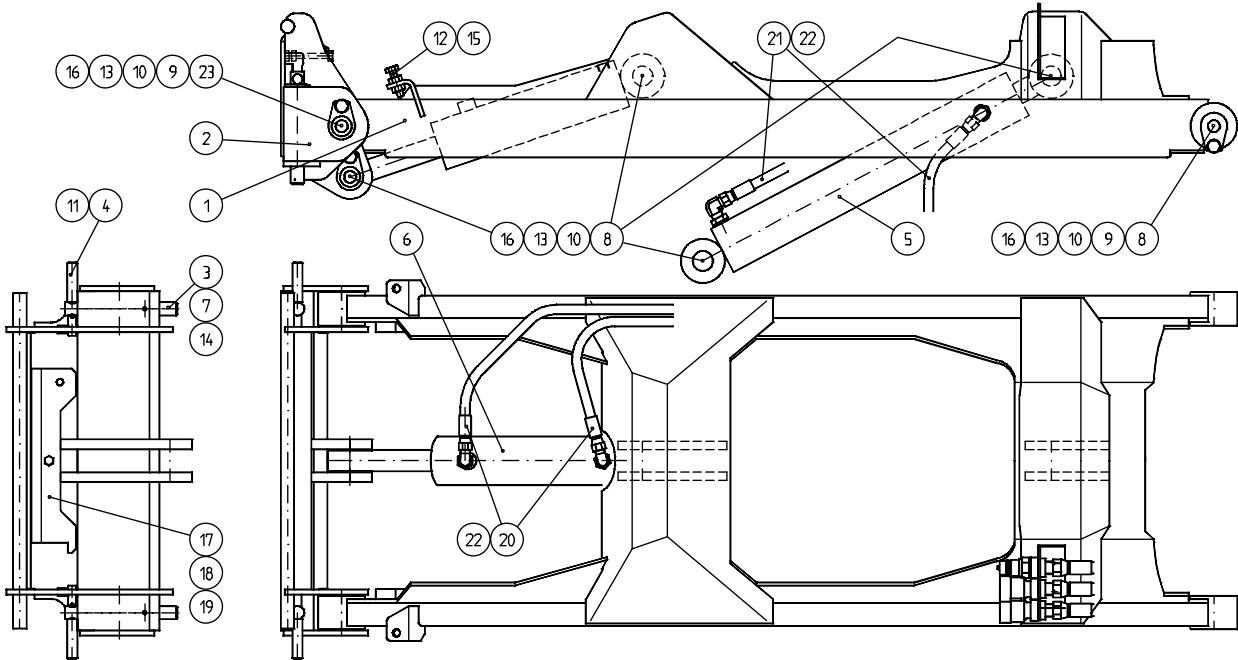
46	73613	8	WASHER M12 A12 DIN 127
47	74531	2	WASHER, PAIR, M10 NL10 NORDLOCK
48	73018	6	WASHER M10 R11 DIN 440 ZN
49	73962	14	WASHER M 8 A8 DIN 127 ZN
50	74438	4	HEXAGONAL HEAD SCREW M 6* 40 DIN 912
51	A44420	1	RIVET
52	A44421	1	HOLDER
53	A44479	1	EXHAUST PIPE, FRONT, ASSEMBLY
54	64606	1	RADIATOR KUBOTA 16679-72001

ENGINE ASSY AVANT 513/HONDA GX390 A31853



1	64125	1	COMBUST. ENGINE HONDA GX390
2	A42849	1	ENGINE SUPPORT PLATE GX390
3	A4431	2	VIBRATION DAMPER, RUBBER
4	A44641	1	FLYWHEEL HOUSING Z=11
5	A44627	1	COUPLING, PUMP SIDE Z=11
6	64597	1	RUBBER RING IN COUPLING, TRASCO 28/38
7	A44017	1	COUPLING, ENGINE SIDE F25
8	A31919	1	VARIABLE DISPLACEMENT PUMP CONTROL UNIT
9	A44178	1	INLET PORT
10	64166	1	ELBOW FITTING 90° C40XS10-1/2"
11	74593	1	O-RING 22.2*3.0
12	64110	2	HOSE FITTING R1/2"UK - 19 MM L=44
13	64298	1	PRESSURE FLANGE 1GB12 (R1/2"-F35 AL)
14	74438	4	HEXAGONAL HEAD SCREW M6* 40 DIN 912
15	71884	3	HEXAGONAL HEAD SCREW M8* 25 DIN 912
16	74480	1	HEXAGONAL HEAD SCREW M8* 16 DIN 912
17	74471	1	HEXAGONAL HEAD SCREW M5* 10 DIN 912
18	72151	6	HEXAGONAL SCREW M10* 30 DIN 933
19	72143	4	HEXAGONAL SCREW M8* 80 DIN 931
20	72322	4	HEXAGONAL NUT M10 DIN 985 NYLOC
21	72320	4	HEXAGONAL NUT M 8 DIN 985 NYLOC
22	73121	4	WASHER M10 A10,5 DIN 125 ZN
23	73962	4	WASHER M 8 A8 DIN 127 ZN
24	74531	2	WASHER, PAIR, M10 NL10 NORDLOCK
25	71685	4	WASHER M 8 R9 DIN 440 ZN
26	74452	2	WASHER M 6 A6 DIN 127 ZN
27	73962	1	WASHER M 8 A8 DIN 127 ZN
28	64058	3	BASIC FITTING F40XS12-1/2
29	64307	2	T FITTING BODY S6XS12
30	64194	2	TEST FITTING TT4XS12-1/4"
31	64196	2	MANOMETER FITTING M16*2
32	A44200	1	HYDRAULIC HOSE L=340 1LW-06
33	64134	1	ELBOW FITTING 90° C6XS12
34	A44196	1	DISTANCE BUSHING F35/F25.3-15.5
35	64622	1	HYDRAULIC PUMP AXIAL PUMP V013+6, Z=11
36	A43030	2	INLET HOSE D20 L=800
37	73530	4	HOSE CLAMP ABA 22-32
38	64634	1	PRESSURE FILTER CART. AXIAL CH 151-FD-1-1

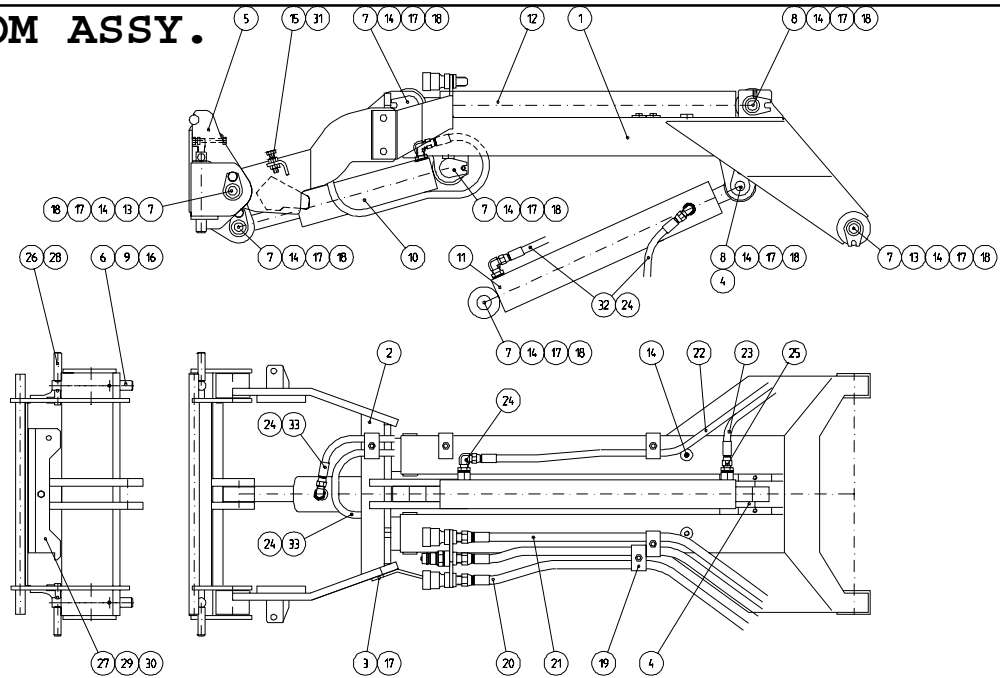
**LOADER BOOM STD.
A31832**



1	A31636	1	LOADER BOOM, ASSEMBLY
2	A31831	1	ATTACHMENT COUPLING PLATE
3	A43935	2	LOCKING PIN F20
4	A43936	2	LATCH PIN
5	A43673	1	HYDRAULIC CYLINDER F63/F32*360 LMIN=590
6	A43672	1	HYDRAULIC CYLINDER F63/F32*150 LMIN=380
7	64061	2	COMPRESSION SPRING SS2387 2,5*25*118
8	A43565	8	PIVOT PIN
9	64048	4	SLIDE BEARING GSM-3034-40
10	72798	8	GREASE NIPPLE R 1/8" STRAIGHT
11	73661	2	SPRING COTTER 5* 30 DIN 1481
12	73488	2	HEXAGONAL SCREW M10* 60 DIN 933 ZN
13	72147	8	HEXAGONAL SCREW M10* 16 DIN 933 ZN
14	71880	2	HEXAGONAL HEAD SCREW M 6* 25 DIN 912
15	72321	4	HEXAGONAL NUT M10 DIN 934 ZN
16	74531	8	WASHER, PAIR, M10 NL10 NORDLOCK
17	A43948	1	SERVICE SUPPORT, BOOM CYLINDER
18	74520	1	HEXAGONAL SCREW M 8* 70 DIN 933 ZN
19	72319	1	HEXAGONAL NUT M 8 DIN 934 ZN
20	A42909	2	HYDRAULIC HOSE L=2100 R1AT-04
21	A42908	2	HYDRAULIC HOSE L=980 R1AT-04
22	64044	4	ELBOW FITTING 90° C40XS10-3/8
23	A44227	2	PIVOT PIN L=94

TELEBOOM ASSY.

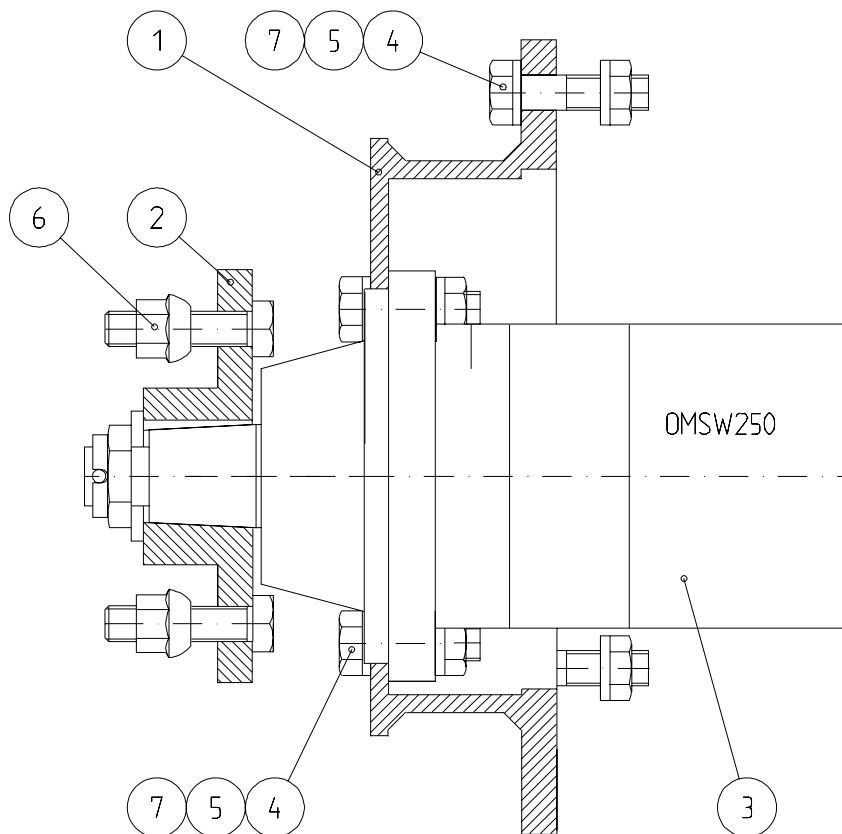
A2844



1	A31448	1	OUTER BOOM
2	A31449	1	INNER BOOM
3	A42671	1	EAR
4	A43083	4	DISTANCE RING
5	A31831	1	ATTACHMENT COUPLING PLATE
6	A43935	2	LOCKING PIN F20
7	A43565	8	PIVOT PIN
8	A43085	2	PIN L=86
9	64061	2	COMPRESSION SPRING SS2387 2,5*25*118
10	A43672	1	HYDRAULIC CYLINDER F63/F32*150 LMIN=380
11	A43673	1	HYDRAULIC CYLINDER F63/F32*360 LMIN=590
12	A43086	1	HYDRAULIC CYLINDER F50/F32-500 LMIN=720
13	64048	4	SLIDE BEARING GSM-3034-40
14	72798	14	GREASE NIPPLE R 1/8" STRAIGHT
15	73488	2	HEXAGONAL SCREW M10* 60 DIN 933 ZN
16	71880	2	HEXAGONAL HEAD SCREW M 6* 25 DIN 912
17	72147	12	HEXAGONAL SCREW M10* 16 DIN 933 ZN
18	74531	10	WASHER, PAIR, M10 NL10 NORDLOCK
19	73760	4	PIPE CLAMP RSB DOUBLE THR. DS
20	A42927	2	HYDRAULIC HOSE L=3450 R2AT-06
21	A42926	1	HYDRAULIC HOSE L=3400 R1AT-06
22	A42928	1	HYDRAULIC HOSE L=1450 R1AT-04
23	A42929	1	HYDRAULIC HOSE L=900 R1AT-04
24	64044	5	ELBOW FITTING 90° C40XS10-3/8
25	64041	1	BASIC FITTING F40XS10-3/8
26	A43936	2	LATCH PIN
27	A43948	1	SERVICE SUPPORT, BOOM CYLINDER
28	73661	2	SPRING COTTER 5* 30 DIN 1481
29	74520	1	HEXAGONAL SCREW M 8* 70 DIN 933 ZN
30	72319	1	HEXAGONAL NUT M 8 DIN 934 ZN
31	72321	4	HEXAGONAL NUT M10 DIN 934 ZN
32	A42908	2	HYDRAULIC HOSE L=980 R1AT-04
33	A42925	2	HYDRAULIC HOSE L=2950 R1AT-04

HYDRAULIC MOTOR, ASSEMBLY, OMSW A43974

AVANT 513, 514 AND 520



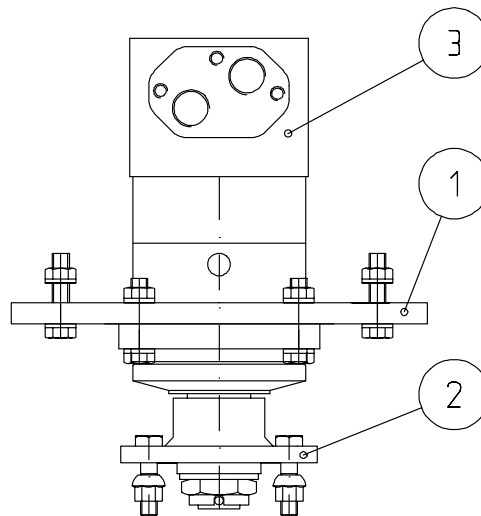
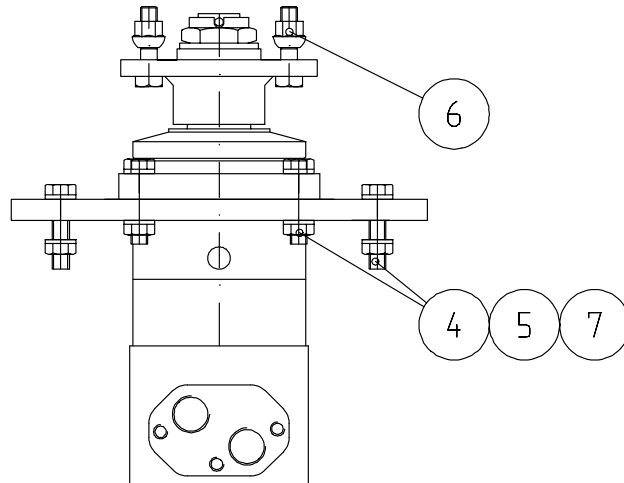
1	A43971	1	MOUNTING FLANGE, ASSEMBLY, OMS
2	A43973	1	WHEEL HUB, ASSEMBLY, OMS
3	64540	1	HYDRAULIC MOTOR OMSW250
4	73322	7	HEXAGONAL SCREW M12* 40 DIN 931 ZN
5	72324	7	HEXAGONAL NUT M12 DIN 985 NYLOC
6	73743	4	WHEEL NUT M12*1,5DIN74361
7	73613	7	WASHER M12 A12 DIN127 ZN

TRANSMISSION, OMT, FRONT

A43975

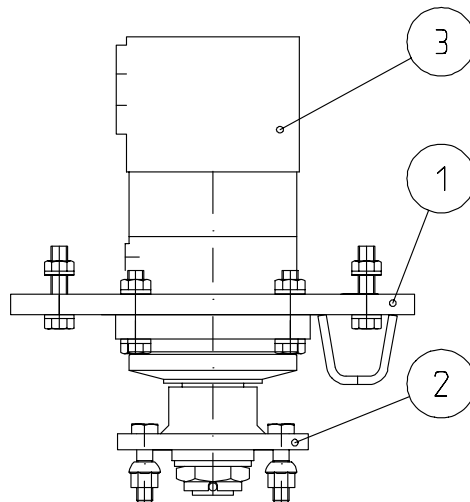
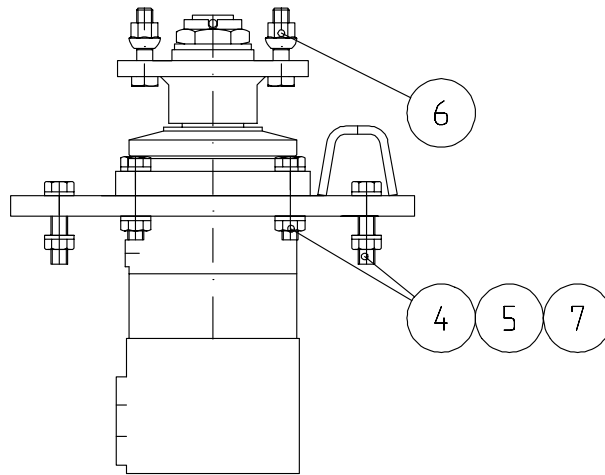
AVANT 520 PLUS, 0-9 KM/H OMT400

0-14 KM/H OMT250



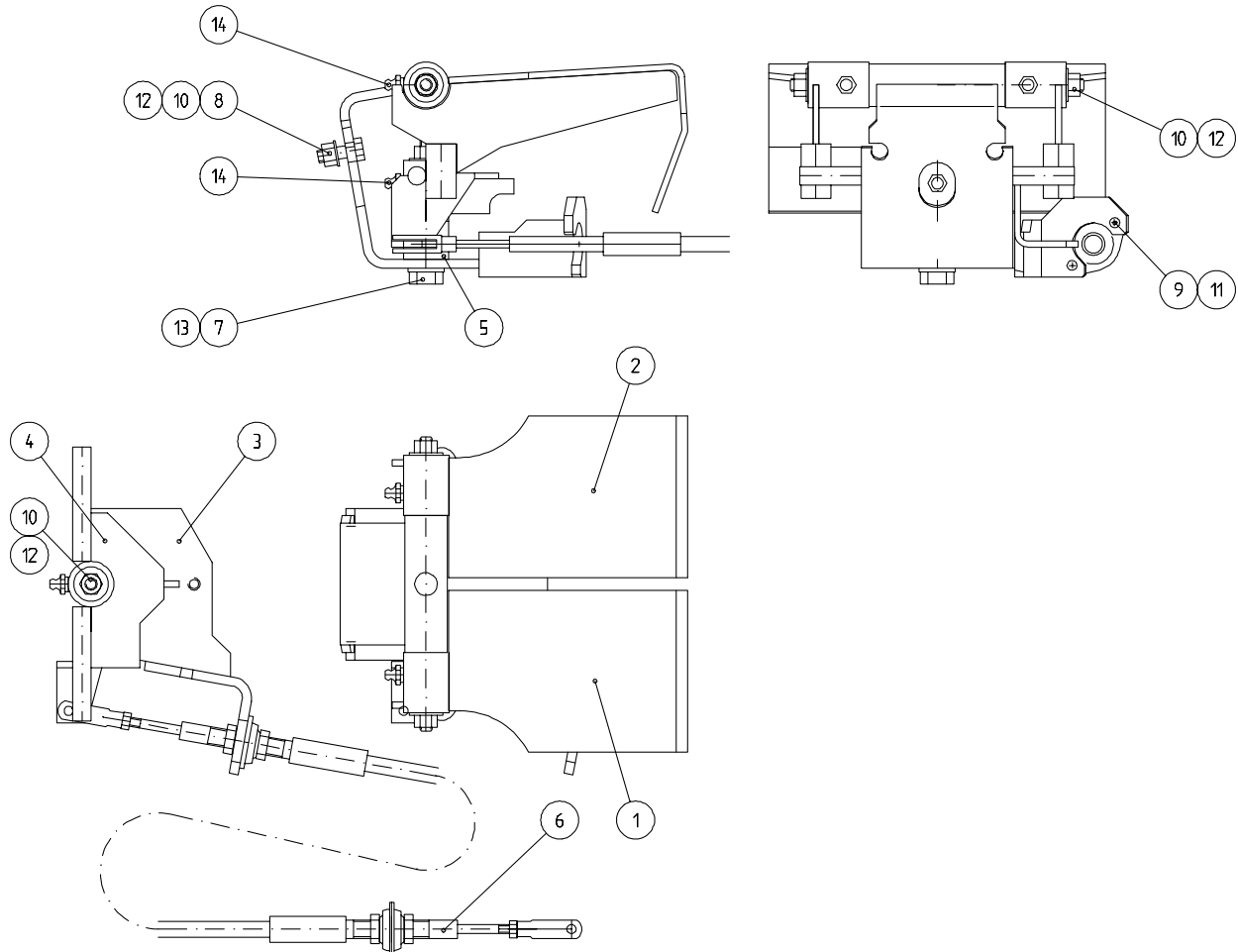
1	A43972	2	MOUNTING FLANGE, FRONT, OMT
2	A43945	2	WHEEL HUB, ASSEMBLY, OMT
3	64541	2	HYDRAULIC MOTOR OMT400, 0-9 KM/H, OR
	64542	2	HYDRAULIC MOTOR OMT250, 0-14 KM/H
4	72220	14	HEXAGONAL SCREW M12* 50 DIN 933 ZN
5	72324	14	HEXAGONAL NUT M12 DIN 985 NYLOC
6	73743	8	WHEEL NUT M12*1,5DIN74361
7	73613	14	WASHER M12 A12 DIN127 ZN

TRANSMISSION, OMT, REAR A43976



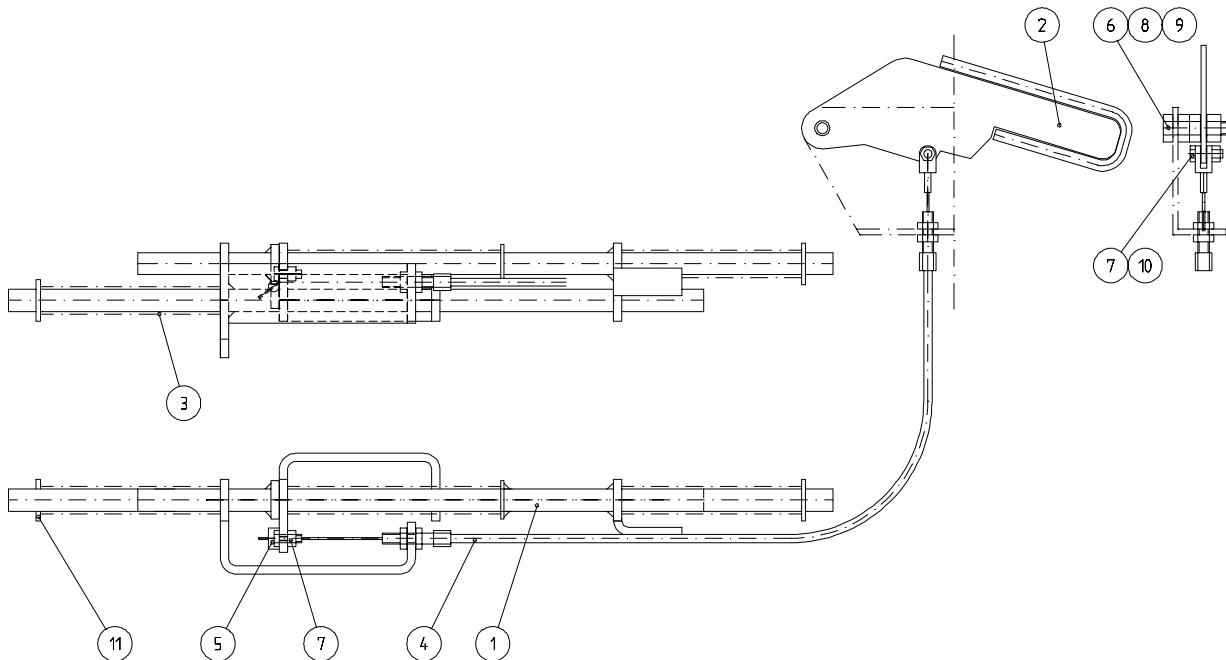
1	A43967	2	MOUNTING FLANGE, ASSEMBLY, OMT
2	A43945	2	WHEEL HUB, ASSEMBLY, OMT
3	64541	2	HYDRAULIC MOTOR OMT400, 0-9 KM/H, OR
	64542	2	HYDRAULIC MOTOR OMT250, 0-14 KM/H
4	72220	14	HEXAGONAL SCREW M12* 50 DIN 933 ZN
5	72324	14	HEXAGONAL NUT M12 DIN 985 NYLOC
6	73743	8	WHEEL NUT M12*1,5DIN74361
7	73613	14	WASHER M12 A12 DIN127 ZN

DRIVE PEDAL A31555



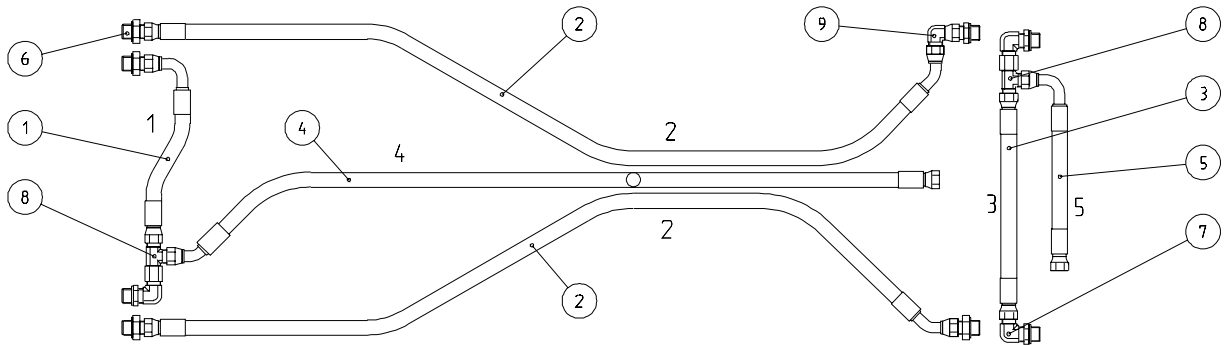
1	A43072	1	DRIVE PEDAL, LEFT
2	A43073	1	DRIVE PEDAL, RIGHT
3	A43071	1	DRIVE PEDAL FRAME
4	A43074	1	ROCKER ARM
5	A43064	1	VERTICAL AXLE
6	*)	1	DRIVE CABLE *)SEE PAGES 3,4,5 AND 6
7	72165	1	HEXAGONAL SCREW M12* 20 DIN 933
8	72132	2	HEXAGONAL SCREW M 8* 25 DIN 933 ZN
9	72118	2	HEXAGONAL SCREW M 6* 20 DIN 933
10	72320	5	HEXAGONAL NUT M 8 DIN 985 NYLOC
11	72318	2	HEXAGONAL NUT M 6 DIN 985 NYLOC
12	71685	5	WASHER M 8 R 9 DIN 440 ZN
13	73613	1	WASHER M12 DIN 127
14	72798	3	GREASE NIPPLE R 1/8" STRAIGHT

PARKING BRAKE A31739



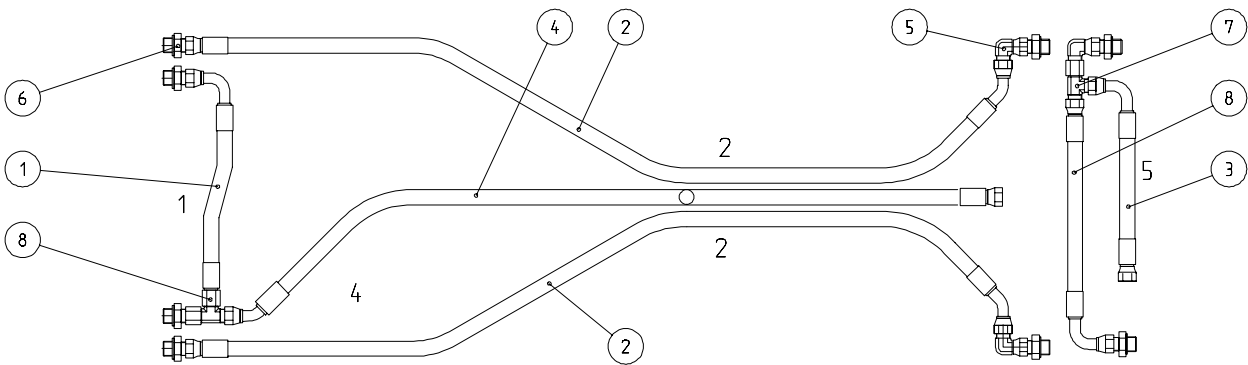
1	A31692	1	PARKING BRAKE 500 SERIES
2	A43438	1	PARKING BRAKE HANDLE
3	64037	4	COMPRESSION SPRING SF-TF 2,5*20*75
4	A42876	1	PARKING BRAKE WIRE
5			
6	73488	1	HEXAGONAL SCREW M10* 60 DIN 933 ZN
7	72118	2	HEXAGONAL SCREW M 6* 20 DIN 933 ZN
8	72321	2	HEXAGONAL NUT M10 DIN 934 ZN
9	72322	1	HEXAGONAL NUT M10 DIN 985 NYLOC
10	72318	2	HEXAGONAL NUT M 6 DIN 985 NYLOC
11	73461	2	WASHER M16 18 DIN 126 ZN

HYDRAULIC HOSES, DRIVE, 500 SERIES STD. A31892



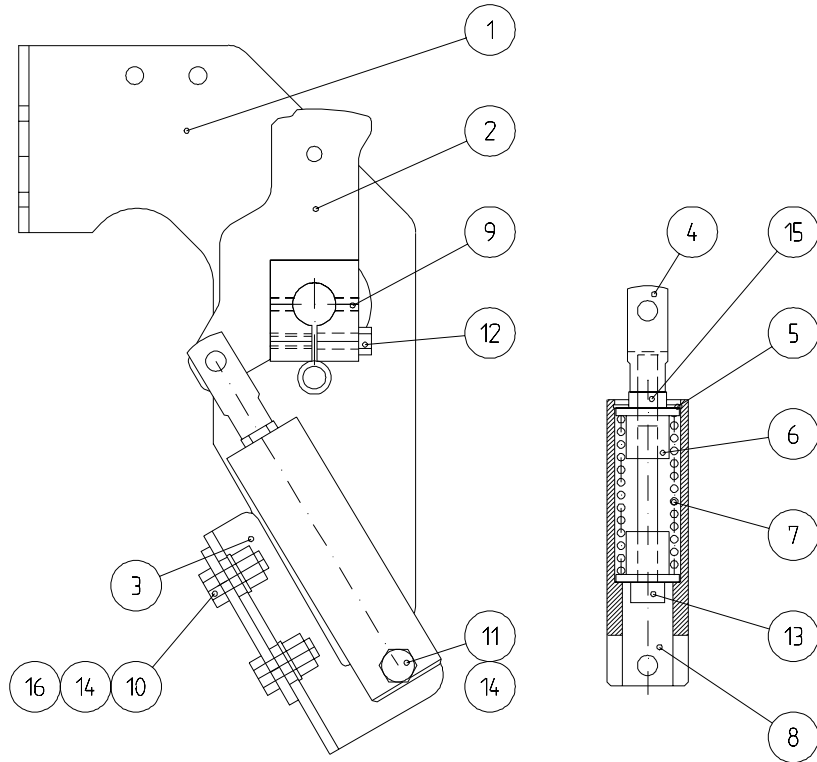
1	A44022	1	HYDRAULIC HOSE L=365 2LW-06
2	A44023	2	HYDRAULIC HOSE L=1450 2LW-06
3	A44024	1	HYDRAULIC HOSE L=340 2L W-06
4	A44025	1	HYDRAULIC HOSE L=1360 2L W-08
5	A44026	1	HYDRAULIC HOSE L=760 2L W-08
6	64058	5	BASIC FITTING F40XS12-1/2
7	64045	3	ELBOW FITTING C40XS12-1/2
8	64050	2	L FITTING BODY R6XS12
9	64134	1	ELBOW FITTING C6XS12

**HYDRAULIC HOSES, DRIVE, AVANT 520 PLUS
& 528 PLUS
A31893**



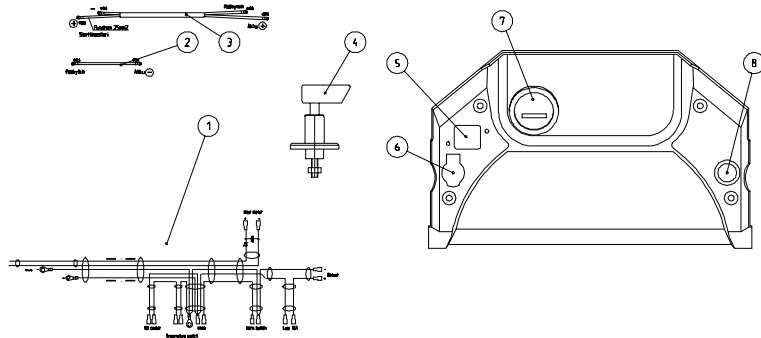
1	A44027	1	HYDRAULIC HOSE L=255 2LW-06
2	A44028	2	HYDRAULIC HOSE L=1350 2LW-06
3	A44030	1	HYDRAULIC HOSE L=700 3MAX1/2"-08
4	A44029	1	HYDRAULIC HOSE L=1360 3MAX1/2"-08
5	64134	3	ELBOW FITTING C6XS12
6	64544	8	BASIC FITTING F40XS12-3/4
7	64050	2	L FITTING BODY R6XS12
8	A44177	1	HYDRAULIC HOSE L=200 2LW-06

VARIABLE DISPLACEMENT PUMP CONTROL UNIT A31919



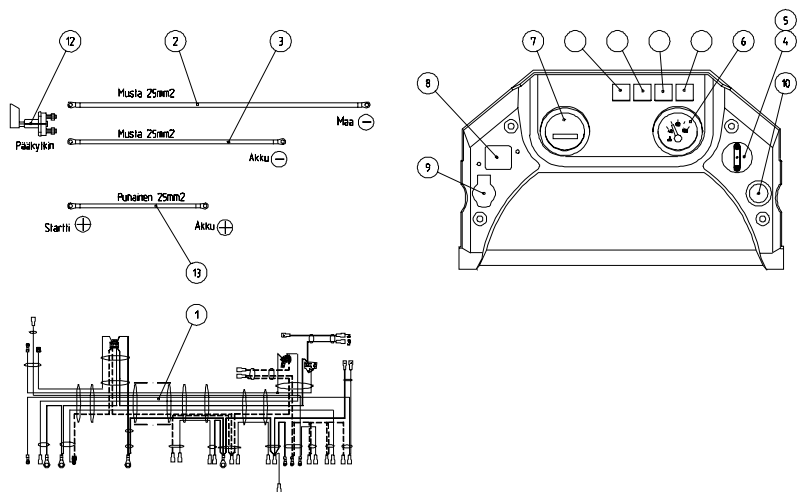
1	A44061	1	CABLE SUPPORT PLATE
2	A44064	1	ROCKER LEVER, ASSEMBLY
3	A44058	1	ADJUSTMENT EAR
4			
5	74664	1	SEEGER RING J 26*1.2 DIN 472
6	A44057	2	SLIDING GUIDE
7	64543	1	COMPRESSION SPRING SF-TF 3*18*75
8	A44056	1	BUSHING
9	73661	1	SPRING COTTER 5* 30 DIN 1481
10	72130	2	HEXAGONAL SCREW M 8* 20 DIN 933 ZN
11	72137	1	HEXAGONAL SCREW M 8* 50 DIN 931 ZN
12	73199	1	HEXAGONAL SCREW M 6* 30 DIN 933 ZN
13	74485	1	HEXAGONAL HEAD SCREW M 8* 90 DIN 912
14	72320	3	HEXAGONAL NUT M 8 DIN 985 NYLOC
15	72319	1	HEXAGONAL NUT M 8 DIN 934 ZN
16	74525	2	WASHER M 8 8,4*20*1,25 ZN

ELECTRIC WIRING AVANT 513 A31846



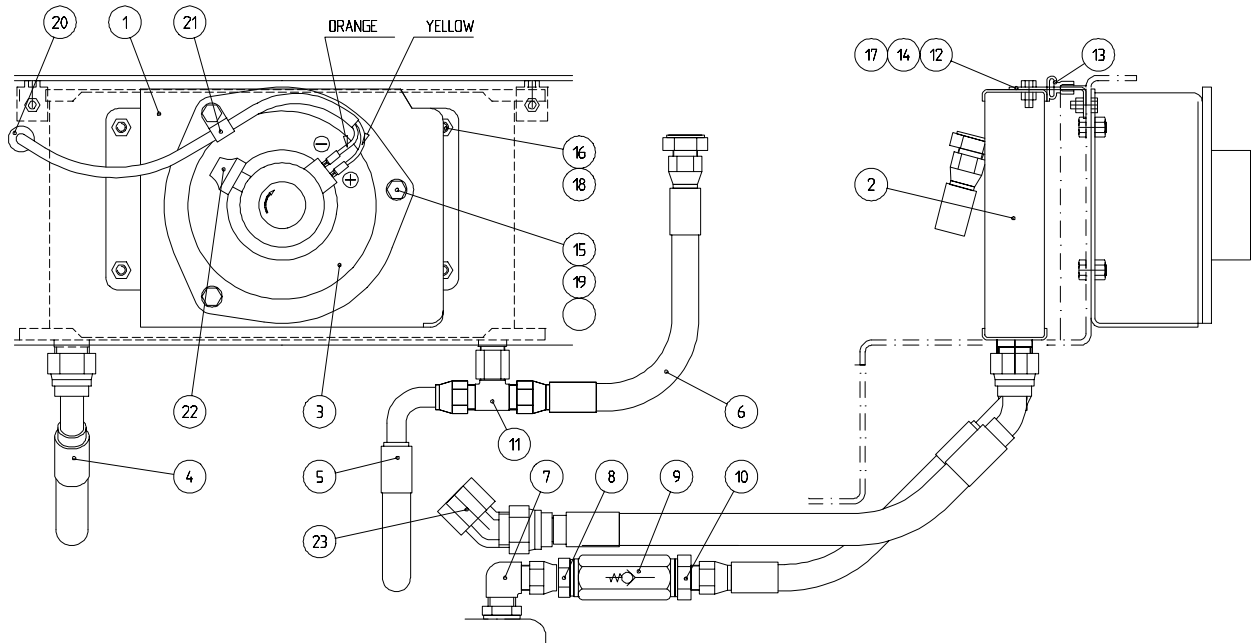
1	A1293	1	WIRE HARNESS 500 SERIES / HONDA GX390
2	A43543	1	CABLE BATTERY DISCONN. SWITCH/BATTERY
3	A43544	1	CABLE STARTER / BATTERY
4	64141	1	BATTERY DISCONNECT SWITCH MBERS-98700
5	64292	1	FUSE HOLDER FOR 2 FUSES MERIT
6	64213	1	OUTLET MERIT 114320
7	64152	1	HOUR METER, ISKRA HK7DC
8	64074	1	PRESS SWITCH, F22,5 MERIT 320000
9	64157	1	SIGNAL HORN 12 V DC

EL. WIRING AVANT 514,520,520+,528+ A31925



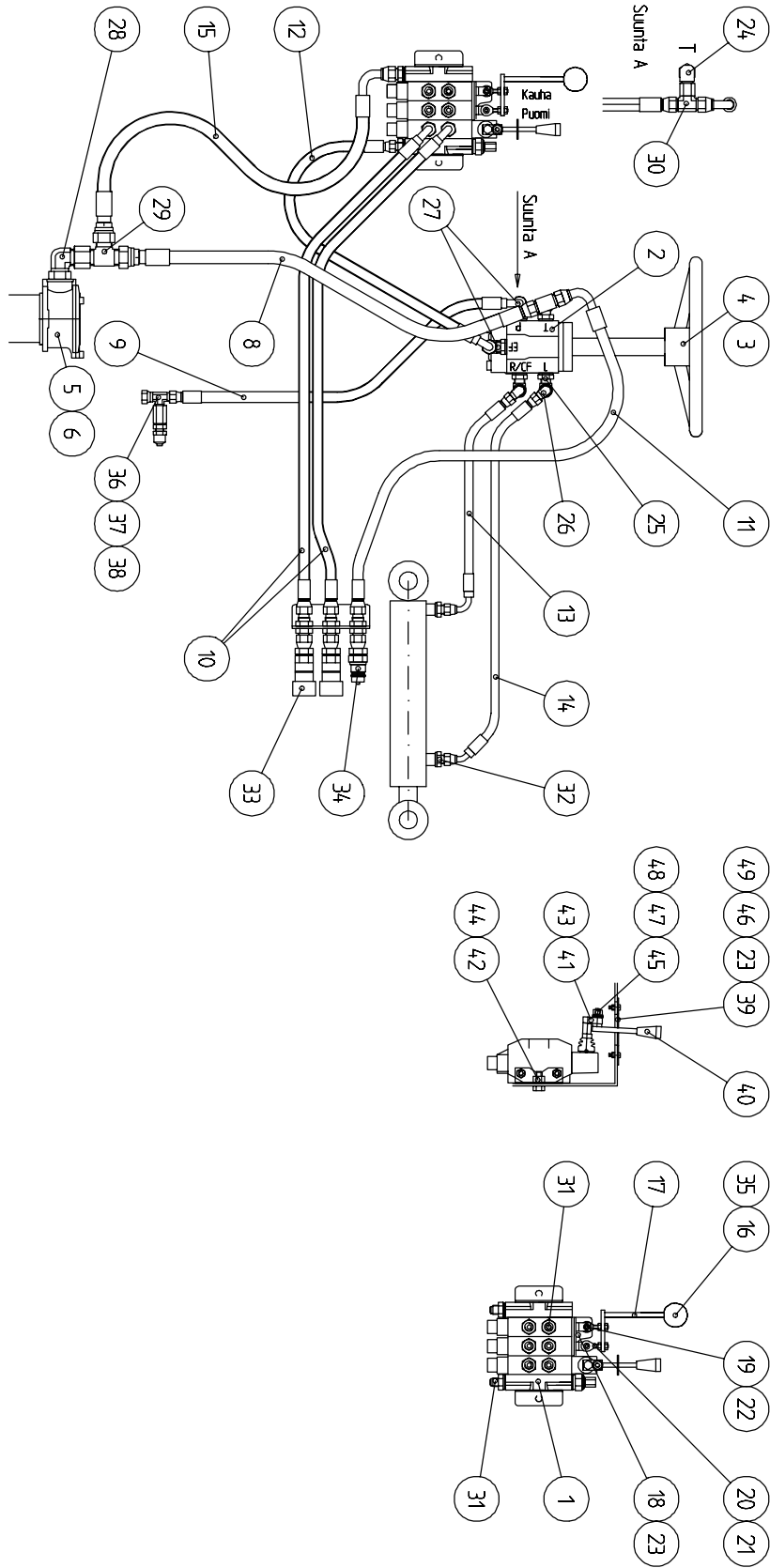
1	A1281	1	WIRE HARNESS D722 40A ALTERNATOR
2	A44121	1	CABLE, BATT. DISC. SWITCH/EARTH L=900
3	A44120	1	CABLE, BATTERY- / BATT.DISCSWITCH L=700
4	64202	1	IGNITION SWITCH MERIT 330332
5	64214	1	IGNITION KEY MERIT 14607
6	64243	1	THERMOMETER, WATER
7	64152	1	HOUR METER, ISKRA HK7DC
8	64292	1	FUSE HOLDER FOR 2 FUSES MERIT
9	64213	1	OUTLET MERIT 114320
10	64074	1	PRESS SWITCH, F22,5 MERIT 320000
11	64157	1	SIGNAL HORN 12 V DC
12	64141	1	BATTERY DISCONNECT SWITCH MBERS-98700
13	A44123	1	CABLE, BATTERY+ / STARTER+ L=320

HYDRAULIC OIL COOLER A31741



1	A43735	1	COOLER HOUSING, ASSEMBLY
2	64546	1	COOLER CELL 925AN12-AN8 405*197
3	64198	1	FAN 12 V 835 201 50002
4	A43046	1	HYDRAULIC HOSE L=900 2L W-08
5	A44031	1	HYDRAULIC HOSE L=380 1LW-08
6	A44032	1	HYDRAULIC HOSE L=295 OUTS.THR. 3/8"
7	64045	1	ELBOW FITTING 90° C40XS12-1/2
8	64047	1	CONNECTOR FITTING F64XS12-1/2"
9	64370	1	CHECK VALVE VUC40 1,5BAR-R1/2"
10	64058	1	BASIC FITTING F40XS12-1/2
11	64307	1	T FITTING BODY S6XS12
12	A43832	2	SUPPORT, OIL COOLER CELL
13			
14	73039	4	HEXAGONAL SCREW M 8* 16 DIN 933 ZN
15	72132	3	HEXAGONAL SCREW M 8* 25 DIN 933 ZN
16	73039	4	HEXAGONAL SCREW M 8* 16 DIN 933 ZN
17	72318	4	HEXAGONAL NUT M 6 DIN 985 NYLOC
18	72320	4	HEXAGONAL NUT M 8 DIN 985 NYLOC
19	73122	3	WASHER M 8 A8,4 DIN 125 ZN
20			
21			
22			
23	64545	1	ELBOW FITTING 45° V6XS20

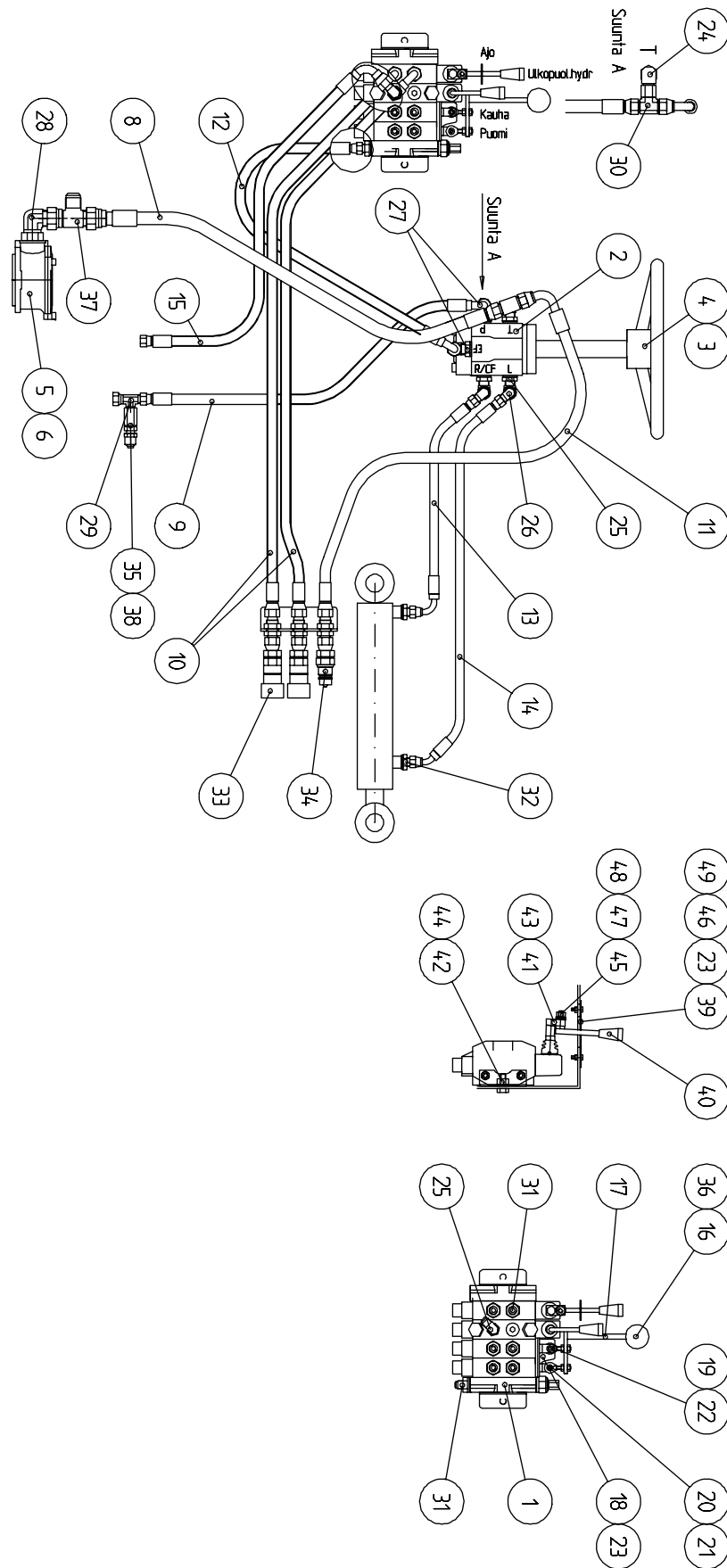
**MAIN CONTROL VALVE + HOSE ASSEMBLY STD.
A31847**



AVANT 500 SERIES PARTS LIST

1	64551	1	CONTROL VALVE HI HDS 11/3
2	64178	1	CONTROL BLOCK DANFOSS OSPC 80 LS
3	64177	1	STEERING WHEEL ROD DANFOSS OTPB 150
4	64192	1	STEERING WHEEL COBO F300
5	64176	1	HYDR. OIL FILTER, RETURN, OMTF 75- 20
6	74093	1	FILTER CARTRIDGE F5-6/P20 (CR65-20)
7		1	
8	A44036	1	HYDRAULIC HOSE L=600 R1AT-08
9	A44051	1	HYDRAULIC HOSE L=1800 R2AT-06
10	A42912	2	HYDRAULIC HOSE L=2250 R2AT-06
11	A42911	1	HYDRAULIC HOSE L=2200 R1AT-06
12	A42923	1	HYDRAULIC HOSE L=950 R2AT-06
13	A44053	1	HYDRAULIC HOSE L=1100 R1AT-04
14	A44052	1	HYDRAULIC HOSE L=1350 R1AT-04
15	A44037	1	HYDRAULIC HOSE L=900 R1 AT-08
16	72624	1	BALL KNOB M8 C 40 BAKELITE
17	A42841	1	CONTROL LEVER, ASSEMBLY
18	A42838	1	EAR, ASSEMBLY
19	A41821	2	PIN, CONTROL LEVER
20	63690	3	ROD END BEARING ASAHI JAM 6
21	72317	6	HEXAGONAL NUT M6 DIN 934 ZN
22	A41822	4	NUT, CONTROL LEVER, M6
23	72110	4	HEXAGONAL SCREW M 5* 16 DIN 933 ZN
24	64068	1	ELBOW FITTING 90° C40XS12-3/8
25	64044	2	ELBOW FITTING 90° C40XS10-3/8
26	64043	2	ELBOW FITTING 90° C6XS10
27	64166	2	ELBOW FITTING 90° C40XS10-1/2"
28	64167	1	ELBOW FITTING 90° C40XS18-3/4"
29	64170	1	L FITTING BODY R6XS18
30	64307	1	T FITTING BODY S6XS12
31	64041	8	BASIC FITTING F40XS10-3/8
32	64059	2	BASIC FITTING F40XS10-1/4
33	64190	2	QUICK COUPLER, FEMALE 1/2" 2V54-T5X4
34	64189	1	QUICK COUPLER, MALE 1/2" 4V14-T5X4
35	74327	1	RUBBER COVER F12/F56-40 32053
36	64078	1	L FITTING BODY R6XS10
37	64196	1	MANOMETER FITTING M16*2
38	64195	1	TEST FITTING TT4XS10-1/4"
39	A43989	1	LOCKING GROOVE
40	A43091	1	CONTROL LEVER
41	A43092	1	CONNECTING PIECE
42	72150	2	HEXAGONAL SCREW M10* 25 DIN 933 ZN
43	72132	1	HEXAGONAL SCREW M 8* 25 DIN 933 ZN
44	72322	2	HEXAGONAL NUT M10 DIN 985 NYLOC
45	72320	1	HEXAGONAL NUT M 8 DIN 985 NYLOC
46	72315	2	HEXAGONAL NUT M 5 DIN 985 NYLOC
47	73122	2	WASHER M 8 A8,4 DIN 125 ZN
48	73962	1	WASHER M 8 A8 DIN 127 ZN

MAIN CONTROL VALVE + HOSE ASSEMBLY 520 PLUS & 528 PLUS, A31851



AVANT 500 SERIES PARTS LIST

1	64553	1	CONTROL VALVE HI HDS 11/4
2	64178	1	CONTROL BLOCK DANFOSS OSPC 80 LS
3	64177	1	STEER. WHEEL ROD DANFOSS OTPB 150
4	64192	1	STEERING WHEEL COBO F300
5	64176	1	HYDR. OIL FILTER, RETURN, OMTF 75-20
6	74093	1	FILTER CARTRIDGE F5-6/P20 (CR65-20)
7			
8	A44036	1	HYDRAULIC HOSE L=600 R1AT-08
9	A44051	1	HYDRAULIC HOSE L=1800 R2AT-06
10	A42912	2	HYDRAULIC HOSE L=2250 R2AT-06
11	A42911	1	HYDRAULIC HOSE L=2200 R1AT-06
12	A42923	1	HYDRAULIC HOSE L=950 R2AT-06
13	A44053	1	HYDRAULIC HOSE L=1100 R1AT-04
14	A44052	1	HYDRAULIC HOSE L=1350 R1AT-04
15	A42916	1	HYDRAULIC HOSE L=1950 R2AT-06
16	72624	1	BALL KNOB M8 C 40 BAKELITE
17	A42841	1	CONTROL LEVER, ASSEMBLY
18	A42838	1	EAR, ASSEMBLY
19	A41821	2	PIN, CONTROL LEVER
20	63690	3	ROD END BEARING ASAHI JAM 6
21	72317	6	HEXAGONAL NUT M6 DIN 934 ZN
22	A41822	4	NUT, CONTROL LEVER, M6
23	72110	4	HEXAGONAL SCREW M5* 16 DIN 933 ZN
24	64068	1	ELBOW FITTING 90° C40XS12-3/8
25	64044	3	ELBOW FITTING 90° C40XS10-3/8
26	64043	2	ELBOW FITTING 90° C6XS10
27	64166	2	ELBOW FITTING 90° C40XS10-1/2"
28	64167	1	ELBOW FITTING 90° C40XS18-3/4"
29	64050	1	L FITTING BODY R6XS12
30	64307	1	T FITTING BODY S6XS12
31	64041	8	BASIC FITTING F40XS10-3/8
32	64059	2	BASIC FITTING F40XS10-1/4
33	64190	2	QUICK COUPLER, FEMALE 1/2" 2V54-T5X4
34	64189	1	QUICK COUPLER, MALE 1/2" 4V14-T5X4
35	64196	1	MANOMETER FITTING M16*2
36	74327	1	RUBBER COVER F12/F56-40
37	64170	1	L FITTING BODY R6XS18
38	64195	1	TEST FITTING TT4XS10-1/4"
39	A43090	1	COVER PLATE
40	A43091	1	CONTROL LEVER
41	A43092	1	CONNECTING PIECE
42	72150	2	HEXAGONAL SCREW M10* 25 DIN 933 ZN
43	72132	1	HEXAGONAL SCREW M 8* 25 DIN 933 ZN
44	72322	2	HEXAGONAL NUT M10 DIN 985 NYLOC
45	72320	1	HEXAGONAL NUT M 8 DIN 985 NYLOC
46	72315	2	HEXAGONAL NUT M 5 DIN 985 NYLOC
47	73122	2	WASHER M 8 A8,4 DIN 125 ZN
48	73962	1	WASHER M 8 A8 DIN 127 ZN